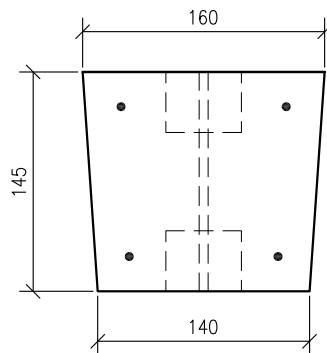
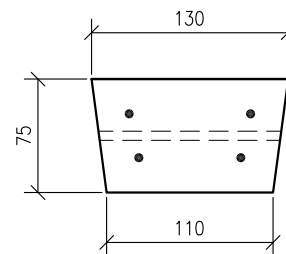


ELEVATION OF POST.

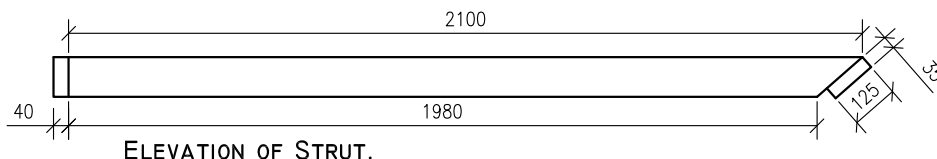
Pocket for strut on 2 sides of unit. Size 150 high x 50 wide x 40mm deep.



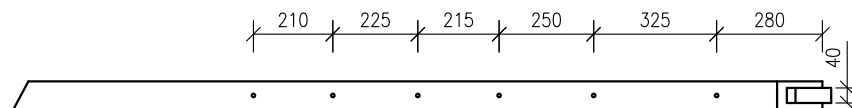
SECTION THRU' POST.



SECTION THRU' STRUT.



ELEVATION OF STRUT.

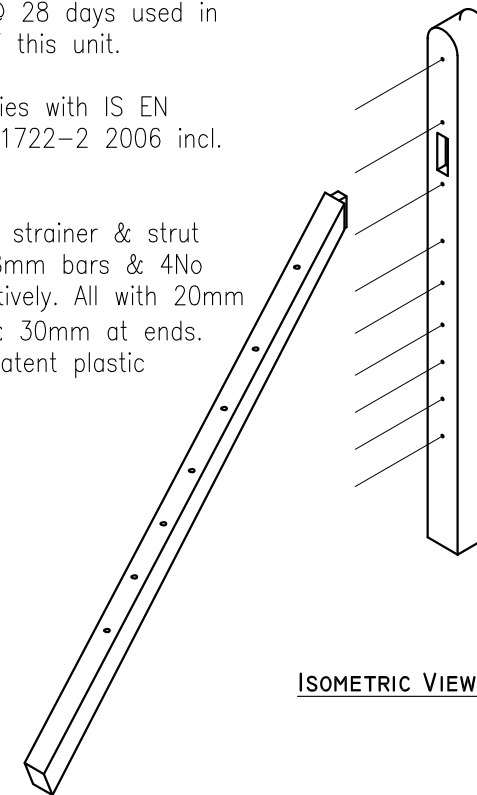


PLAN OF STRUT.

C35/45 concrete @ 28 days used in the manufacture of this unit.

This product complies with IS EN 12839:2012 & BS 1722-2 2006 incl. Annex A.

Steel reinforcing to strainer & strut consists of 4No R8mm bars & 4No R6mm bars respectively. All with 20mm cover (minimum) & 30mm at ends. Rebar located by patent plastic spacers.



ISOMETRIC VIEW.

FOR USE WITH 1.98M INTERMEDIATE FENCING POST SYSTEM.

E. Title block amended.

May 2020

- DO NOT SCALE USE FIGURED DIMENSIONS ONLY.
- ALL DIMENSIONS TO BE CHECKED ON SITE.
- A.P.C TO BE INFORMED OF ANY DISCREPANCIES BEFORE WORK PROCEEDS.

© COPYRIGHT: Ardee Precast Concrete. This drawing or any part thereof may not be copied or otherwise reproduced without the written permission of Ardee Precast Concrete.

Project:

TECHNICAL DATA SHEET.

Sheet Size:

A4

Title:

2.10M STRAINER FENCING POST & STRUT.

Drawing Scale:

1:20, 1:5

Drawn By:

N.D.

Drawing No:

APC - 401

Revision:

E

Date:

07-10-2011

Checked By:



Ardee Precast Concrete Ltd.

Townparks  
Ardee  
Co. Louth

Tel. +353(0)41 6856372  
Fax. +353(0)41 6857216

Email us at [info@ardeeprecastconcrete.ie](mailto:info@ardeeprecastconcrete.ie)  
Visit us at [www.ardeeprecastconcrete.ie](http://www.ardeeprecastconcrete.ie)