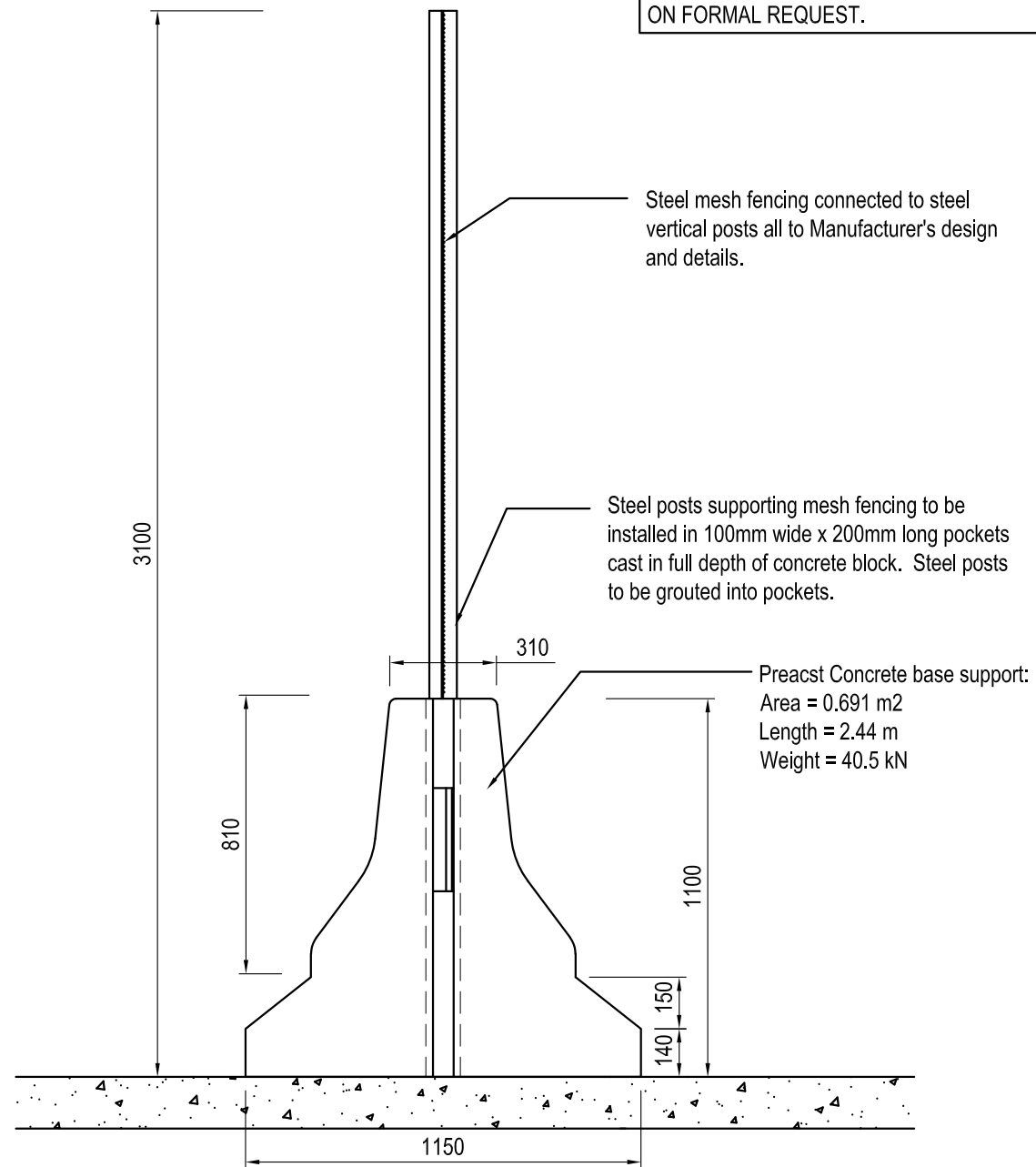
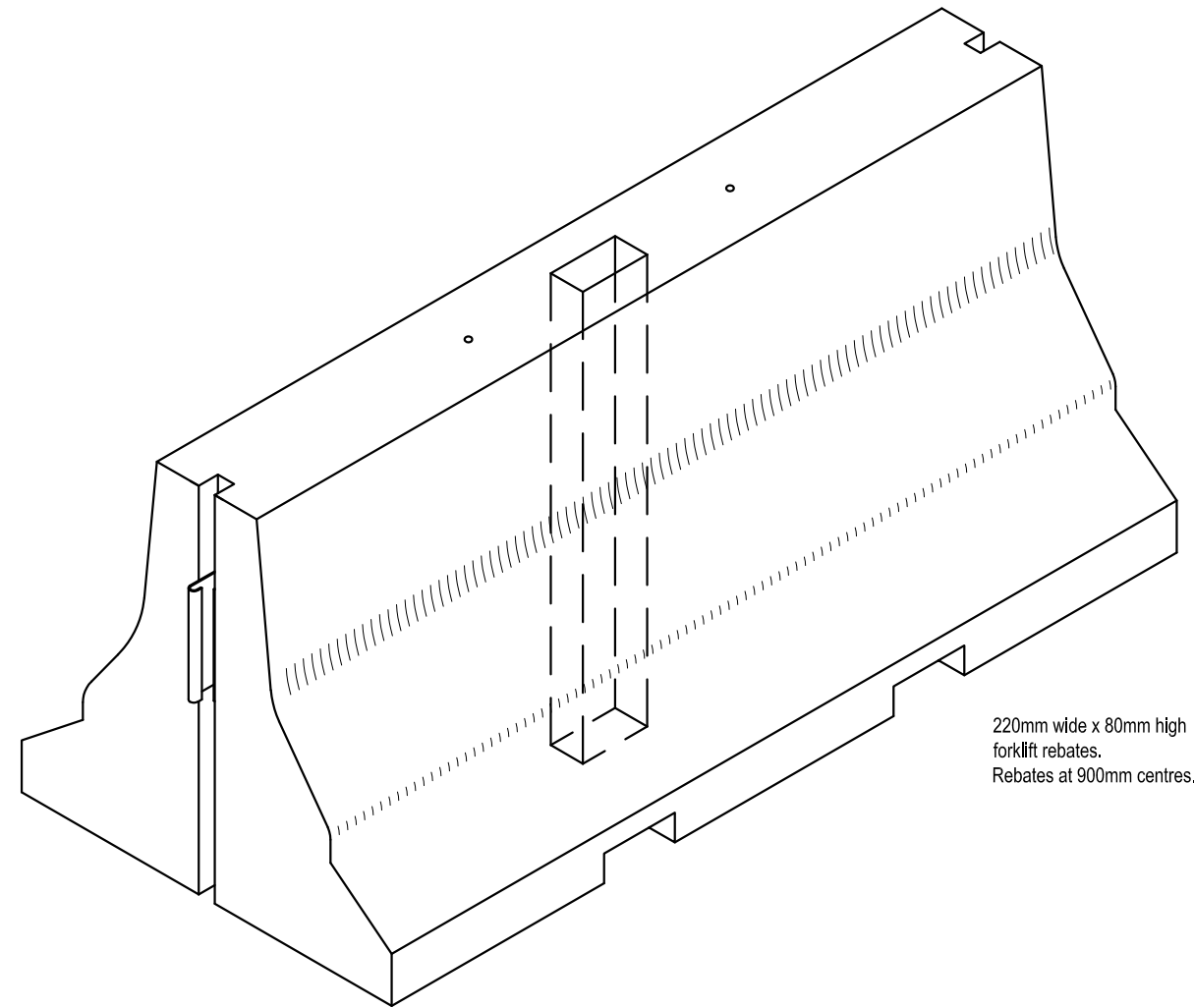


NOTE: THIS UNIT HAS BEEN DESIGNED FOR A MAXIMUM WIND LOAD OF 40m/s AND FOR A MESH FENCE WITH AT LEAST 20% VOIDS IN ELEVATION. FULL CALCULATION PACKAGE IS AVAILABLE ON FORMAL REQUEST.



**PRECAST CONCRETE BARRIER
BALLAST BASE**



220mm wide x 80mm high
forklift rebates.
Rebates at 900mm centres.

ISOMETRIC VIEW

- DO NOT SCALE USE FIGURED DIMENSIONS ONLY.
- ALL DIMENSIONS TO BE CHECKED ON SITE.
- A.P.C TO BE INFORMED OF ANY DISCREPANCIES BEFORE WORK PROCEEDS.

© COPYRIGHT: Ardee Precast Concrete.
This drawing or any part thereof may not be copied or otherwise reproduced without the written permission of Ardee Precast Concrete.

Revision:	Description:	Drawn By:	Date:

Project: TECHNICAL DATA SHEET.		Sheet Size: A3
Title: Precast Concrete Barrier Ballast Base & Fence.		Drawing Scale: 1:20
Drawing No: APC - 918		Drawn By: N.D.
Revision:	Date: 05-07-2019	Checked By:



Ardee Precast Concrete Ltd.
Townparks, Ardee, Co. Louth.
Tel. +353(0)41 6856372
Email. info@ardeeprecastconcrete.ie
www.ardeeprecastconcrete.ie

Plot B, Old Dalby Business Park, Station Road,
Old Dalby, Melton Mowbray, LE14 3NJ
Tel. 01949 838647 Email. info@apccivils.co.uk