

ISOMETRIC VIEW.

C40/50 concrete @ 28 days with 10mm & 14mm aggregate used in the manufacture of this unit.

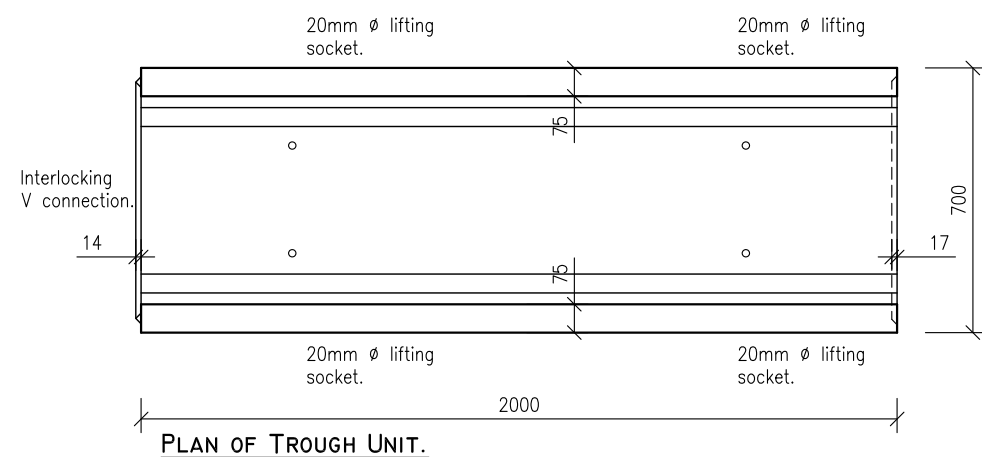
Reinforcement as per design consisting of H10mm & A252 mesh reinforcement. See drg No APC-911-2.

4No M20 lifting sockets in trough unit & 2No M20 lifting sockets in lid unit.

Troughs designed & manufactured to BS EN 1433, Load Classification – D400. Lids to withstand wheel loads not exceeding 110kN.

Access cover & gratings capable of withstanding a 400kN test load. For use in areas where car & lorries have access incl. carriageways, hard shoulders & pedestrian areas.

A rubber or foam conformance layer between trough & cover is recommended where units are subject to heavy vehicle loads.



IMAGES OF THE MANUFACTURED UNIT.


- DO NOT SCALE USE FIGURED DIMENSIONS ONLY.
- ALL DIMENSIONS TO BE CHECKED ON SITE.
- A.P.C TO BE INFORMED OF ANY DISCREPANCIES BEFORE WORK PROCEEDS.

© COPYRIGHT: Ardee Precast Concrete. This drawing or any part thereof may not be copied or otherwise reproduced without the written permission of Ardee Precast Concrete.

Revision:	Description:	Drawn By:	Date:
A	Images added.	ND	15/06/17
B	Notation added/amended.	ND	17/11/20

Project:		
TECHNICAL DATA SHEET.		
Title:		
SERVICES TROUGH TYPE I WITH TYPE I LID.		
Drawing No:	Revision:	Date:
APC-911-I	B	17-11-2020

Sheet Size:
A3
Drawing Scale:
1:20
Drawn By:
N.D.
Checked By:



Ardee Precast Concrete Ltd.
 Townparks Ardee Co. Louth
 Tel. +353(0)41 6856372
 Fax. +353(0)41 6857216
 Email us at info@ardeeprecastconcrete.ie
 Visit us at www.ardeeprecastconcrete.ie