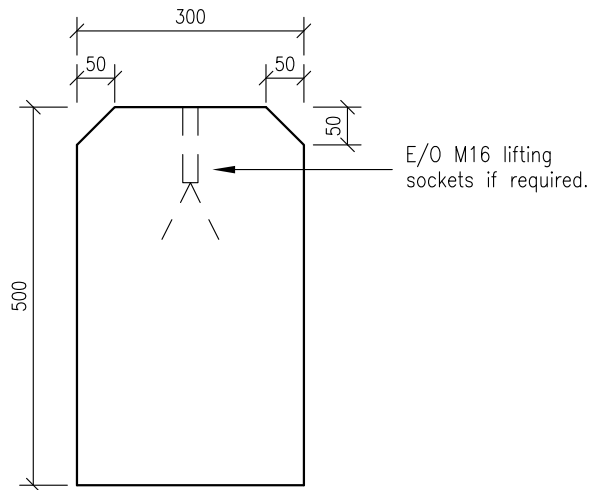
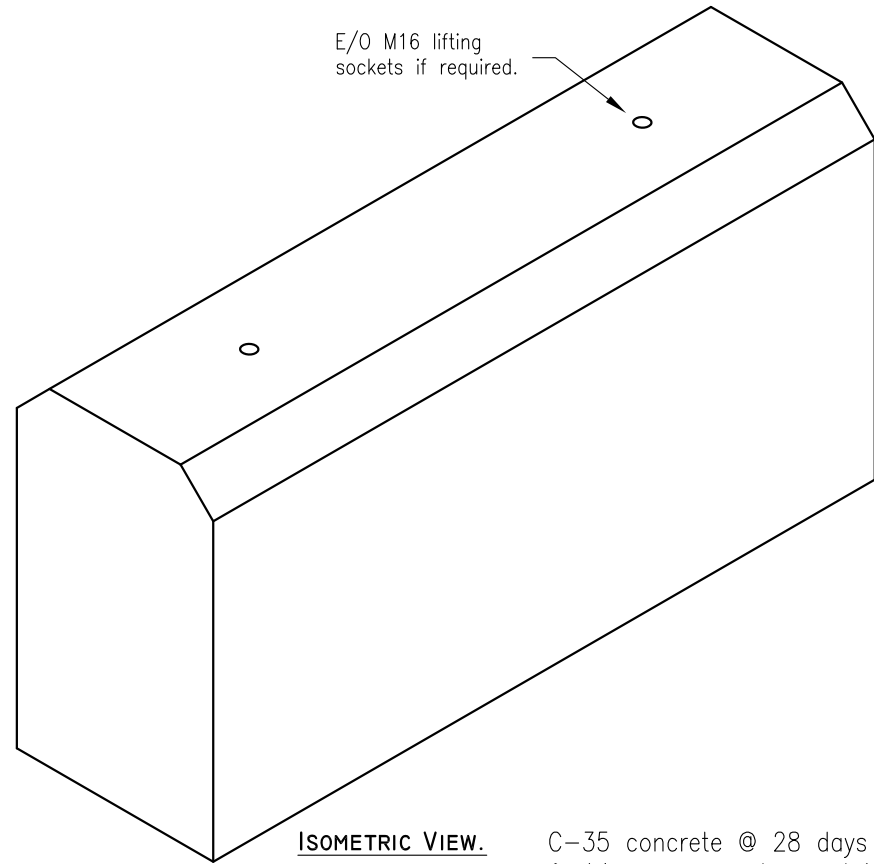


PLAN.



END VIEW.



ISOMETRIC VIEW.

C-35 concrete @ 28 days with 10mm & 14mm aggregate used in the manufacture of this unit.

Nominal reinforcing fitted.

Taper of 5mm on vertical faces.

- DO NOT SCALE USE FIGURED DIMENSIONS ONLY.
- ALL DIMENSIONS TO BE CHECKED ON SITE.
- A.P.C TO BE INFORMED OF ANY DISCREPANCIES BEFORE WORK PROCEEDS.

© COPYRIGHT: Ardee Precast Concrete.  
This drawing or any part thereof may not be copied or otherwise reproduced without the written permission of Ardee Precast Concrete.

Project:

**TECHNICAL DATA SHEET.**

Title:

**KERB/DWARF WALL.  
500MM HIGH X 300MM WIDE**

Drawing No:

**APC - 708**

Revision:

Date:

**06-11-2020**

Sheet Size:

**A4**

Drawing Scale:

**1:10**

Drawn By:

**N.D.**

Checked By:



**Ardee Precast Concrete Ltd.**

Townparks  
Ardee  
Co. Louth

Tel. +353(0)41 6856372  
Fax. +353(0)41 6857216

Email us at [info@ardeeprecastconcrete.ie](mailto:info@ardeeprecastconcrete.ie)  
Visit us at [www.ardeeprecastconcrete.ie](http://www.ardeeprecastconcrete.ie)