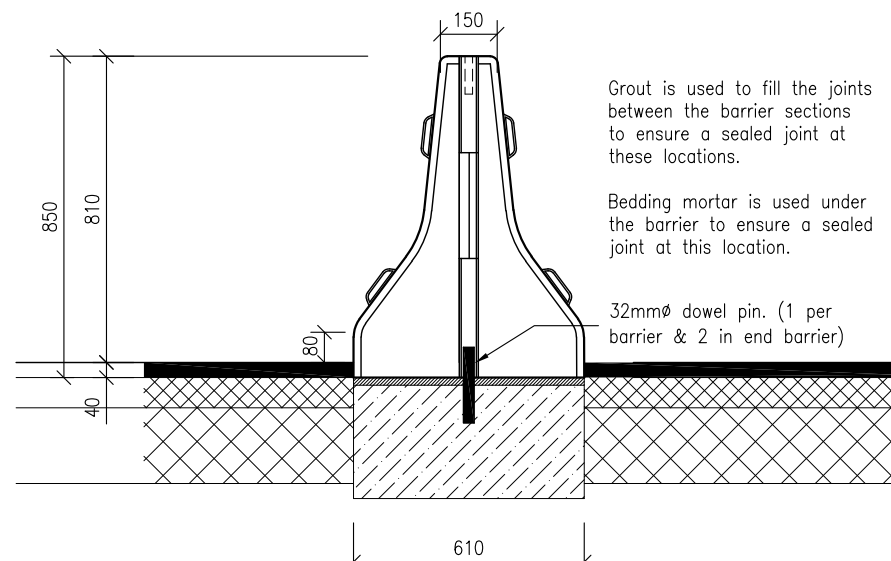
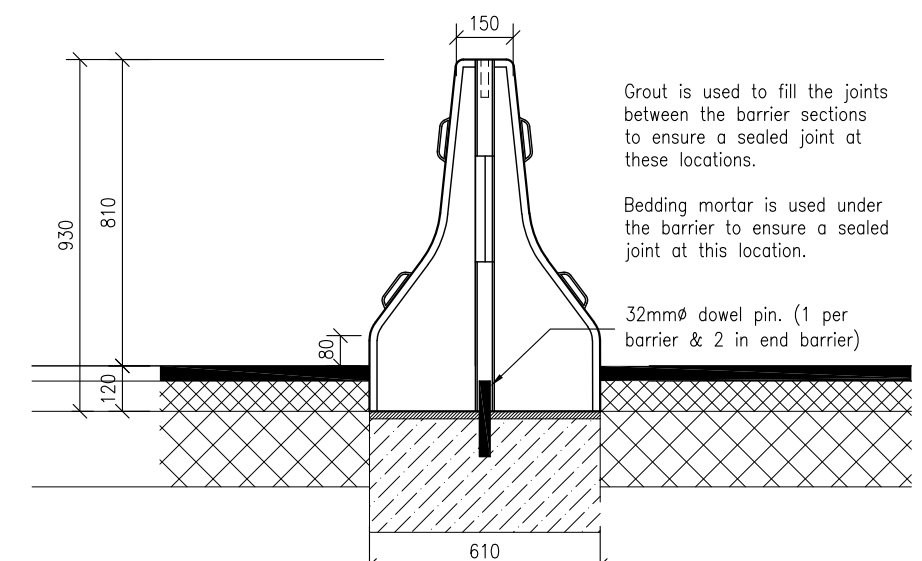


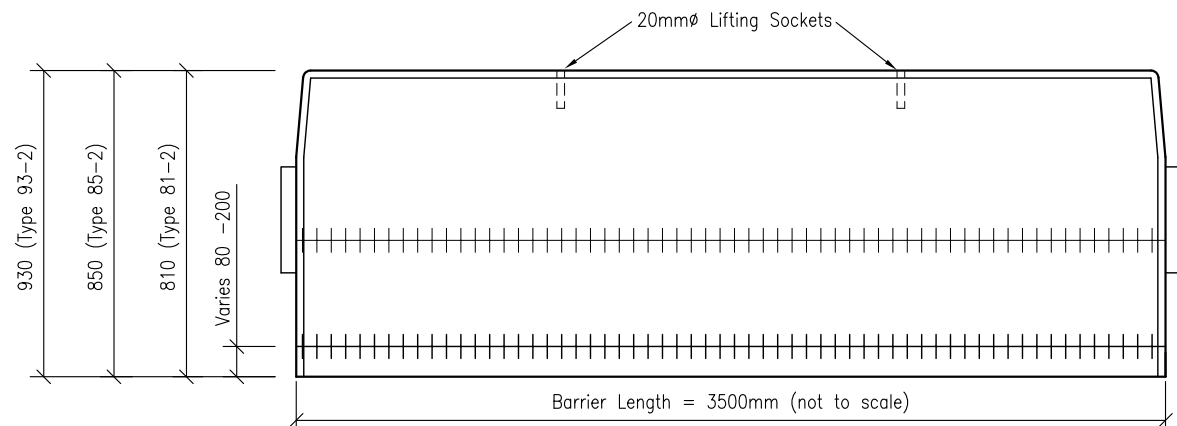
SIDE ELEVATION TYPE 81-2



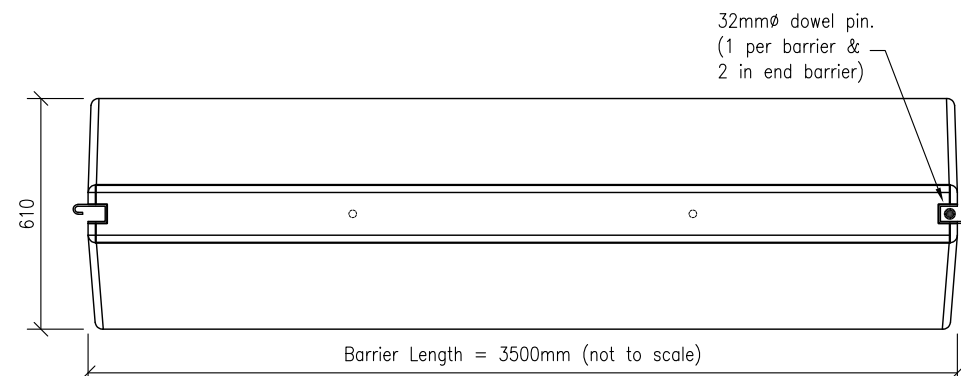
SIDE ELEVATION TYPE 85-2



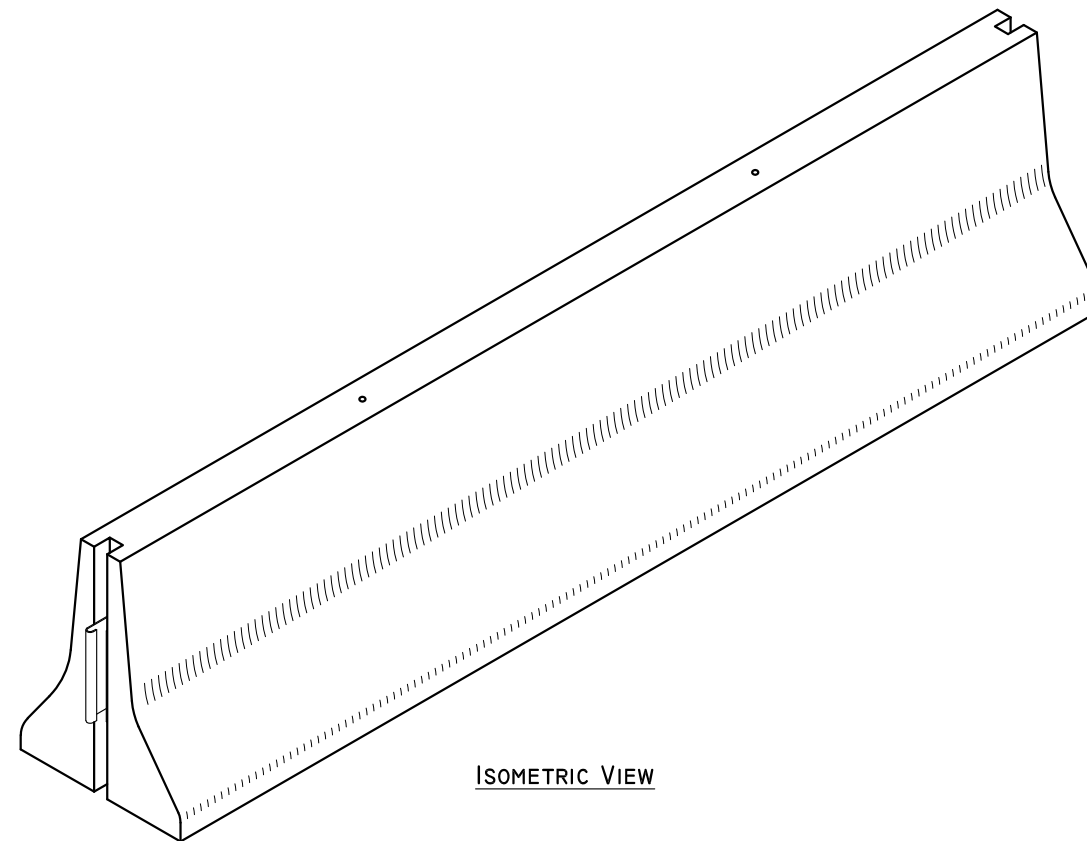
SIDE ELEVATION TYPE 93-2



FRONT ELEVATION



PLAN VIEW



ISOMETRIC VIEW

Concrete Strip Foundation:

The dimensions as well as the quality of the concrete to be used are determined by the relevant requirements of the intended application. Manufacture of a frost-resistant concrete strip foundation with appropriate height and width for perfectly aligned installation. To be used as a bearing surface for double-sided concrete barriers.

Concrete Barrier Sections.

Reinforced C-35 concrete barriers (New Jersey shape), single-sided measuring 3500mm x 610mm x 810mm (L x B x H) for use as a free standing system without any backing. The installation must allow for perfectly aligned sections which are flush on the concrete foundation (incl. a mortar bed), with a foundation joint (32mm dia. dowel pins @ 3500mm centres), all in accordance with the detailed design.

The connection system consists of 1No. J.J hook fitted to each end of the barrier which interlock, thus providing a 1 piece joining system for speed and safety of installation. J.J hooks are welded to the reinforcement, thus providing continuous linkage thru' the barrier.

Bedding mortar to consist of 15/20mm thick of Nafufill KM 130 by MC Chemicals or similar approved. The 32mm dia. dowel pin is 250mm long, protrudes 150mm in to the concrete foundation and is positioned to fit into the groove in the end of the barrier - 1 dowel pin per barrier. Dowels set in foundation using an approved chemical anchor adhesive.

Pourable grout, Emckrete VM 60A by MC Chemicals or similar approved to be poured between the barriers. The outer edges of the vertical joints between barriers (both sides) to be filled with expanding foam to prevent grout leakage. When grout is set, rake out foam and seal with Mycoflex sealant by MC Chemicals or similar approved.

The reinforcement must be fitted in accordance with the design. See drg. No. APC-106.

The barrier is placed as a free-standing construction.

Reflectors to be fitted as required after barrier installation.

- DO NOT SCALE USE FIGURED DIMENSIONS ONLY.
- ALL DIMENSIONS TO BE CHECKED ON SITE.
- A.P.C TO BE INFORMED OF ANY DISCREPANCIES BEFORE WORK PROCEEDS.

© COPYRIGHT: Ardee Precast Concrete.
This drawing or any part thereof may not be copied or otherwise reproduced without the written permission of Ardee Precast Concrete.

Revision:	Description:	Drawn By:	Date:	Project: TECHNICAL DATA SHEET.	Sheet Size: A3
				Title: Use of Precast Concrete Road Safety Barrier to assist in Flood Relief Works.	Drawing Scale: 1:20
				Drawing No: APC - 176	Drawn By: N.D.
				Revision:	Checked By:
				Date: 16-11-2020	



Ardee Precast Concrete Ltd.
Townparks, Ardee, Co. Louth.
Tel. +353(0)41 6856372
Email. info@ardeeprecastconcrete.ie
www.ardeeprecastconcrete.ie

Plot B, Old Dalby Business Park, Station Road,
Old Dalby, Melton Mowbray, LE14 3NJ
Tel. 01949 838647 Email. info@apccivils.co.uk