

**Foundation:**

The barrier can be placed on surfaces such as concrete, asphalt and compacted & levelled hardcore, clause 804 or similar, with appropriate height and width.

**Concrete Barrier Sections.**

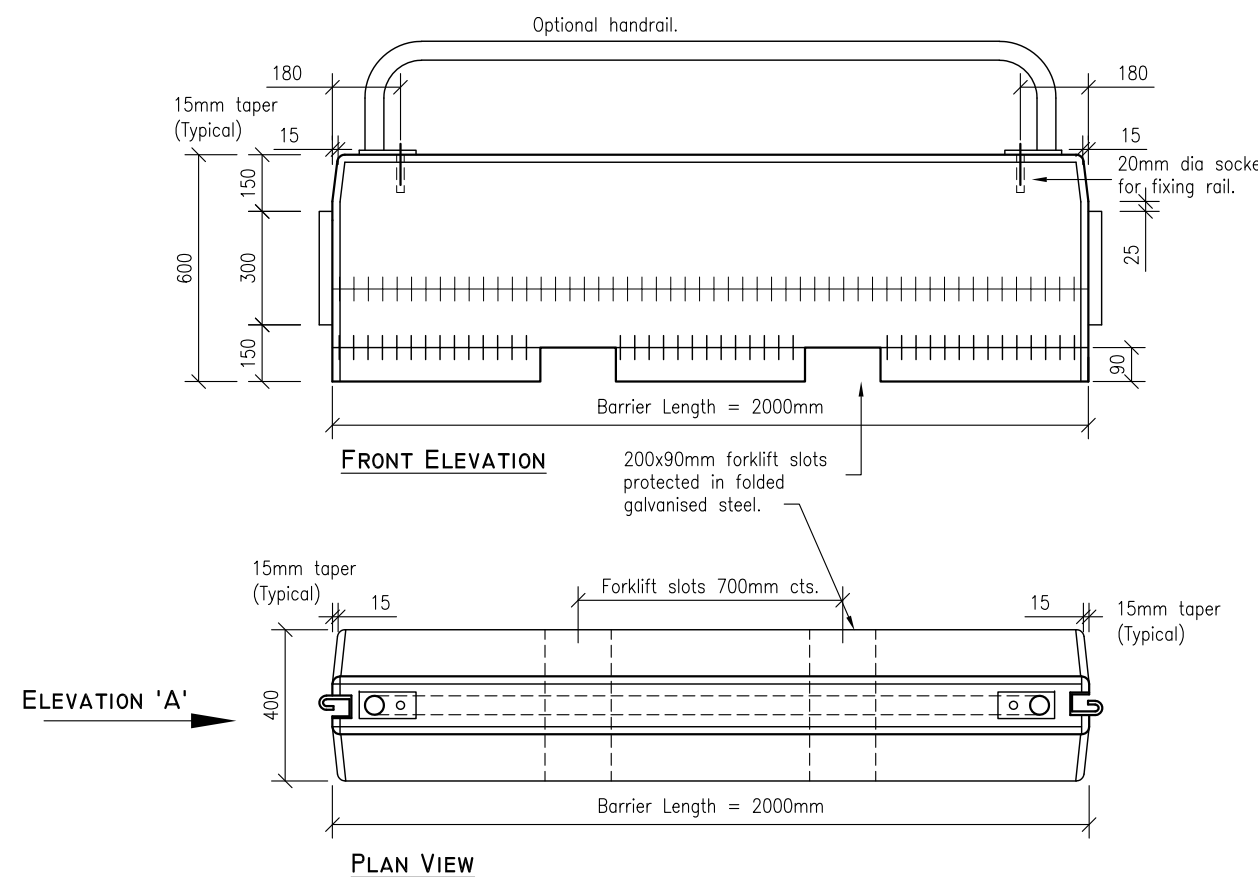
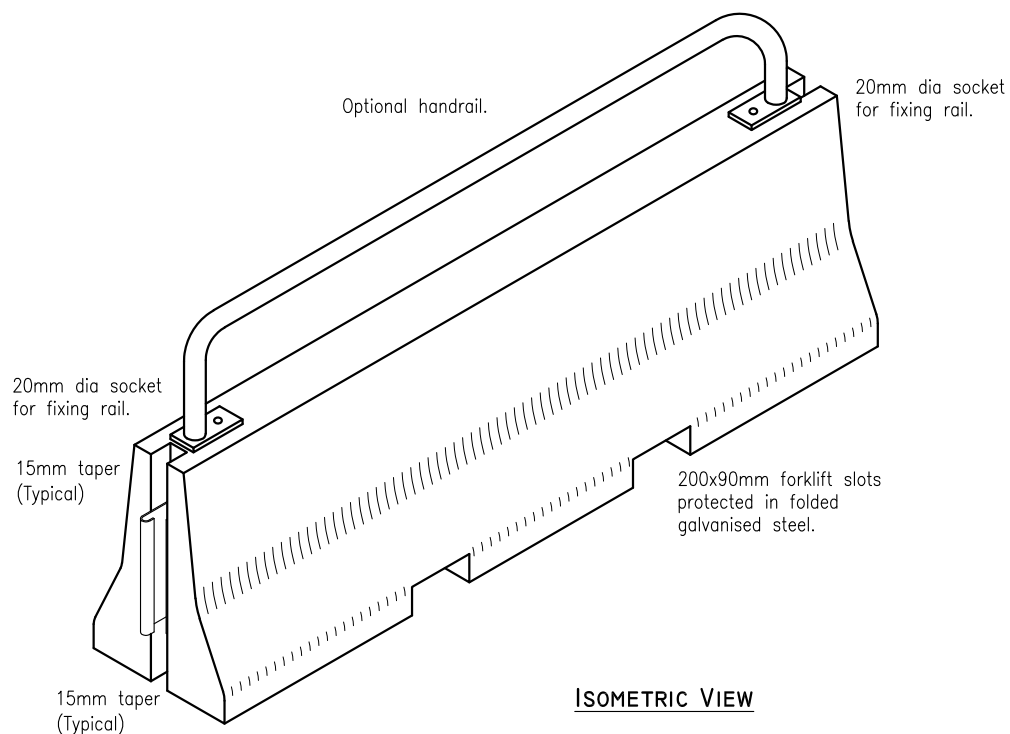
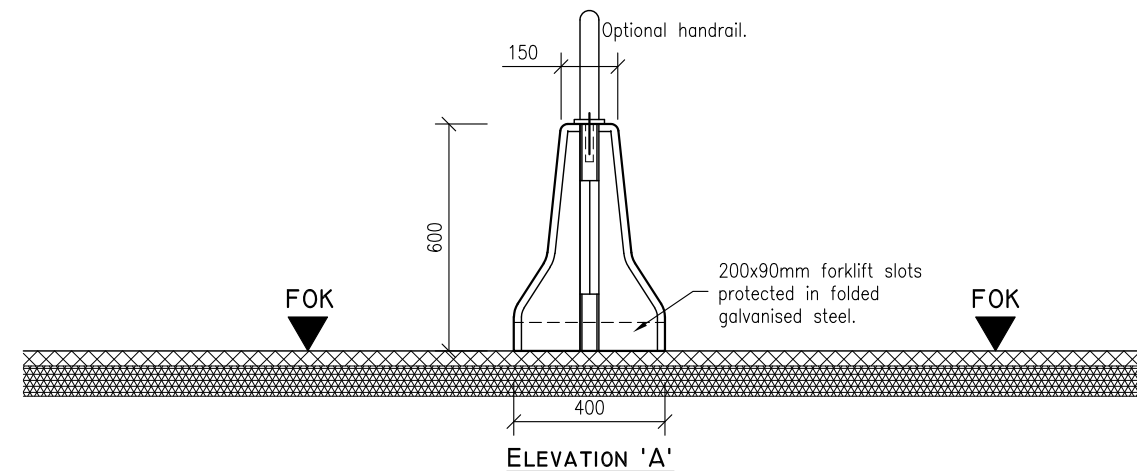
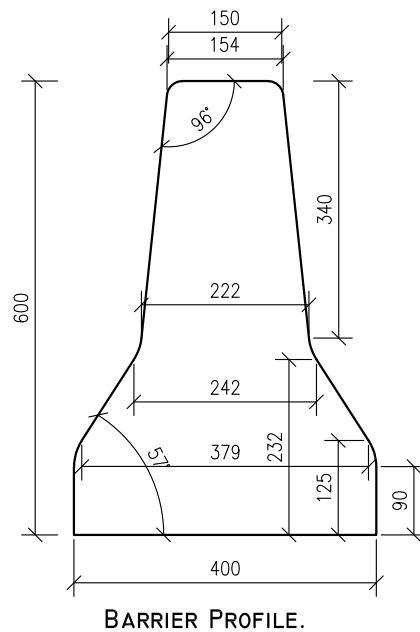
Reinforced C28/35 concrete barriers (New Jersey shape), double-sided, measuring 2000mm x 400mm x 600mm (L x B x H) for use as a free standing and permanent system without any backing.

Reinforcement frame using T12mm bars fitted in centre of barrier.

Reflectors to be fitted as required after barrier installation.

Forklift slots to be provided, 200mm x 90mm @ 700mm centres.

Optional extra – handrail bolted thru sockets cast-in to the barrier during production.




**DOUBLE-SIDED CONCRETE CRASH BARRIER SECTIONS WITHOUT BACKING (FREE - STANDING)**

WEIGHT - 0.73T (APPROX)

- DO NOT SCALE USE FIGURED DIMENSIONS ONLY.
- ALL DIMENSIONS TO BE CHECKED ON SITE.
- A.P.C TO BE INFORMED OF ANY DISCREPANCIES BEFORE WORK PROCEEDS.

Revision:	Description:	Drawn By:	Date:

Project:	Sheet Size:
TECHNICAL DATA SHEET.	A3
Title:	Drawing Scale:
Precast Concrete 'Urban Barrier'. 2m long x 400mm(W) x 600mm(H)	1:20
Drawn By:	Checked By:
N.D.	
Drawing No:	Revision:
APC - 174	
Date:	
02-10-2020	



**Ardee Precast Concrete Ltd.**

Townparks, Ardee, Co. Louth.

Tel. +353(0)41 6856372

Email. [info@ardeeprecastconcrete.ie](mailto:info@ardeeprecastconcrete.ie)

[www.ardeeprecastconcrete.ie](http://www.ardeeprecastconcrete.ie)

Also:  
Plot B, Old Dalby Trading Estate, Station Road,  
Old Dalby, Melton Mowbray, LE14 3NJ  
Tel. 01949 838647 Email. [info@apccivils.co.uk](mailto:info@apccivils.co.uk)

© COPYRIGHT: Ardee Precast Concrete.  
This drawing or any part thereof may not be copied or otherwise reproduced without the written permission of Ardee Precast Concrete.