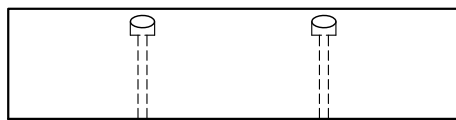
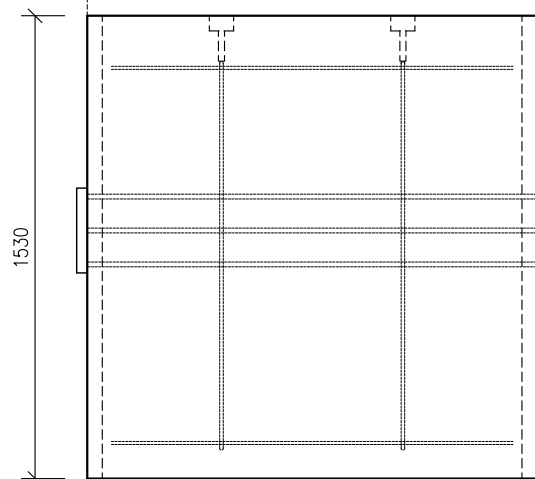


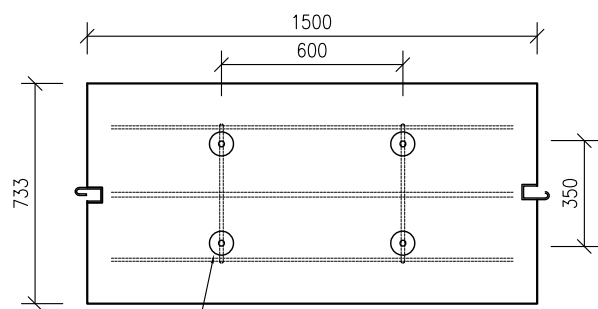
PLAN OF COPING.



ELEVATION OF COPING.

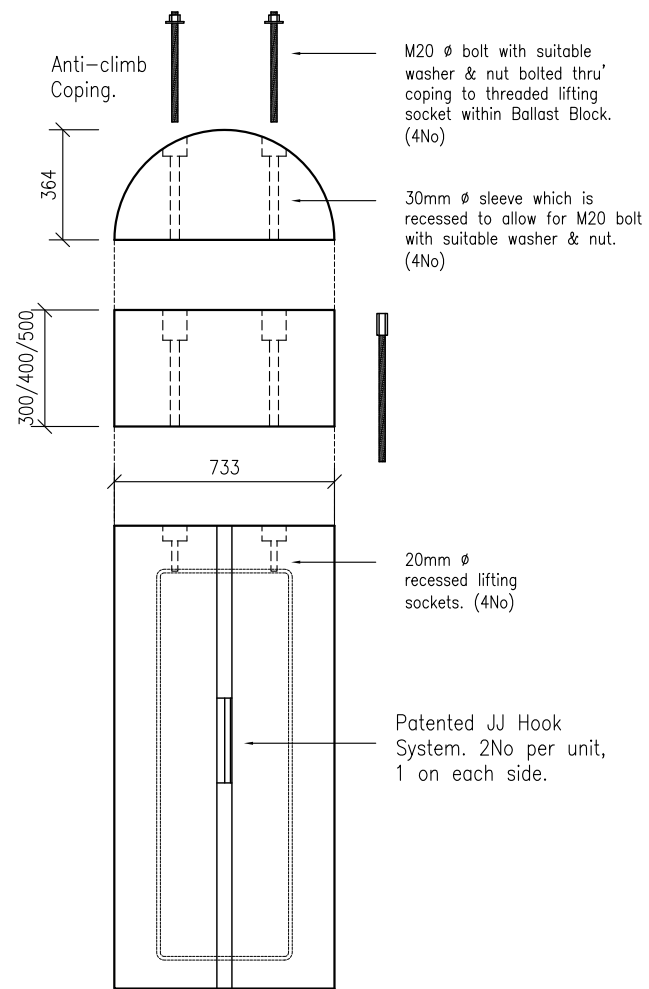


ELEVATION OF BLOCK.



PLAN OF BLOCK.

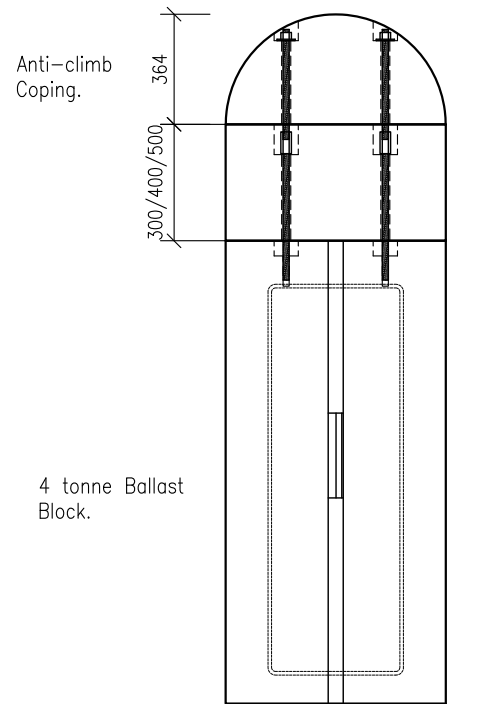
20mm ϕ recessed lifting sockets. (4No)



END VIEW (EXPLODED).

Ballast Block - Type 2 (4T)
See APC-905-2

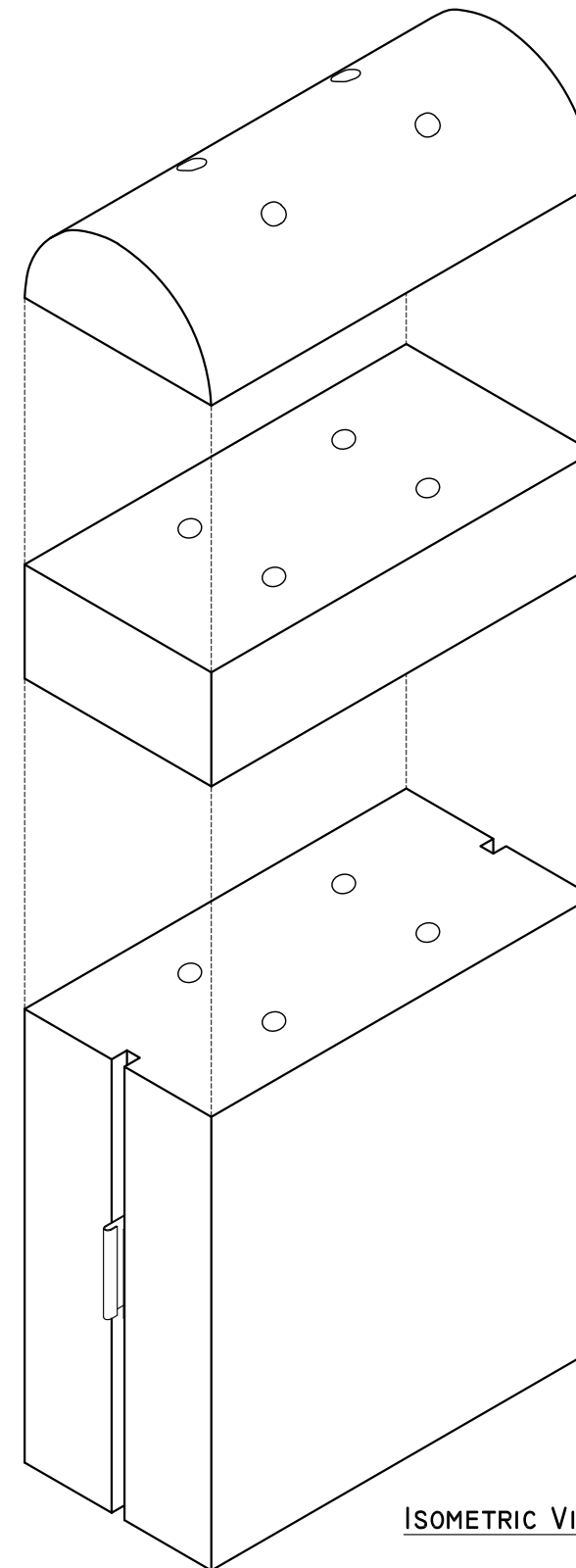
Note - Patented JJ Hook System shown. Block available with/without this system & on either short or long faces.



END VIEW (CONNECTED).

C28/35 concrete @ 28 days with 10mm & 14mm aggregate used in the manufacture of these units.

Wall Extension piece to have 4No sleeves in locations shown to suit lifting socket positions in Ballast Block Type-2. 4No. M20 bolts with suitable 'long nut' fitted at end together with M20 bolt with washers & nuts used to bolt coping through wall extension unit to ballast block.



ISOMETRIC VIEW

Anti-climb Coping.

Wall extension unit.

Ballast Block - Type 2 (4T)
See APC-905-2

- DO NOT SCALE USE FIGURED DIMENSIONS ONLY.
- ALL DIMENSIONS TO BE CHECKED ON SITE.
- A.P.C TO BE INFORMED OF ANY DISCREPANCIES BEFORE WORK PROCEEDS.

Revision:	Description:	Drawn By:	Date:
A	Dimensions altered.	ND	08/01/16
B	Notation amended.	ND	26/05/20

Project: Technical Data Sheet		
Title: Ancillary Items for Ballast Block Type 2. Wall extension with Anti-Climb Coping Unit.		
Drawing No:	Revision:	Date:
APC - 905-4	B	08/01/2016

Sheet Size:	A3
Drawing Scale:	1:25
Drawn By:	N.D.
Checked By:	



Ardee Precast Concrete Ltd.
Townparks Ardee Co. Louth
Tel. +353(0)41 6856372
Fax. +353(0)41 6857216
Email us at info@ardeeprecastconcrete.ie
Visit us at www.ardeeprecastconcrete.ie

© COPYRIGHT: Ardee Precast Concrete.
This drawing or any part thereof may not be copied or otherwise reproduced without the written permission of Ardee Precast Concrete.