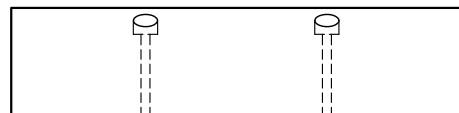
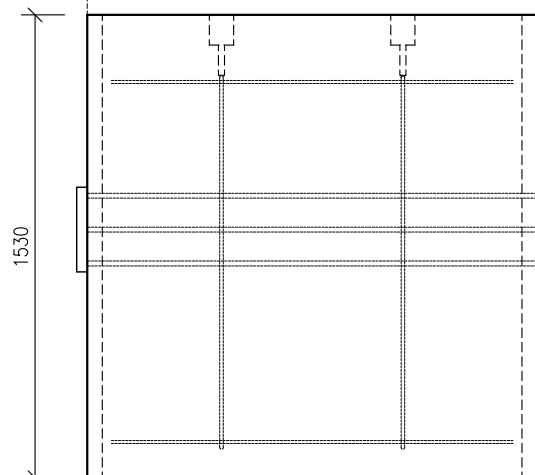


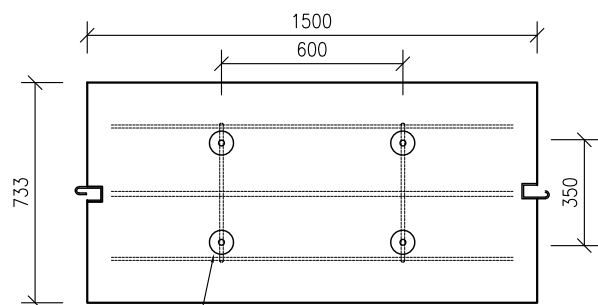
PLAN OF COPING.



ELEVATION OF COPING.

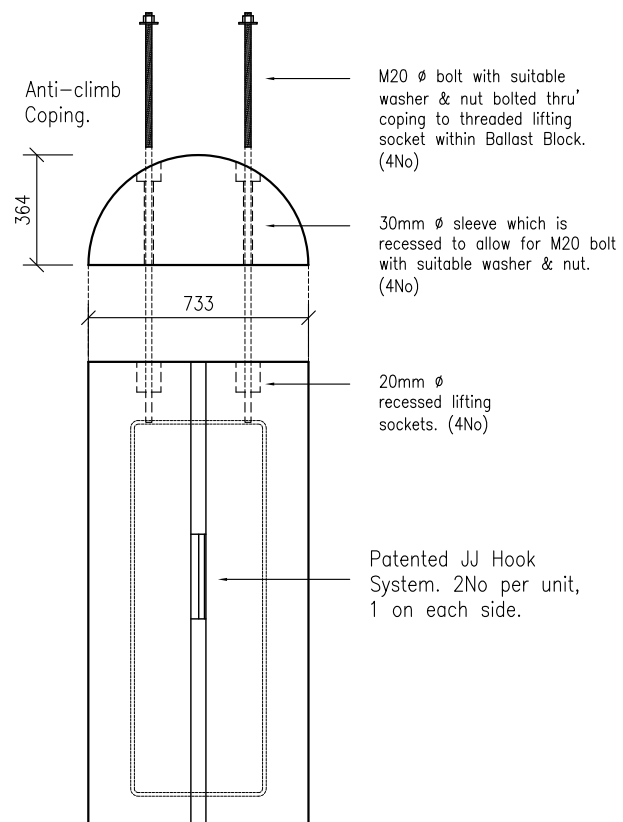


ELEVATION OF BLOCK.



PLAN OF BLOCK.

20mm  $\phi$  recessed lifting sockets. (4No)



END VIEW (EXPLODED).

Ballast Block - Type 2 (4T)  
See APC-905-2

M20  $\phi$  bolt with suitable washer & nut bolted thru' coping to threaded lifting socket within Ballast Block. (4No)

30mm  $\phi$  sleeve which is recessed to allow for M20 bolt with suitable washer & nut. (4No)

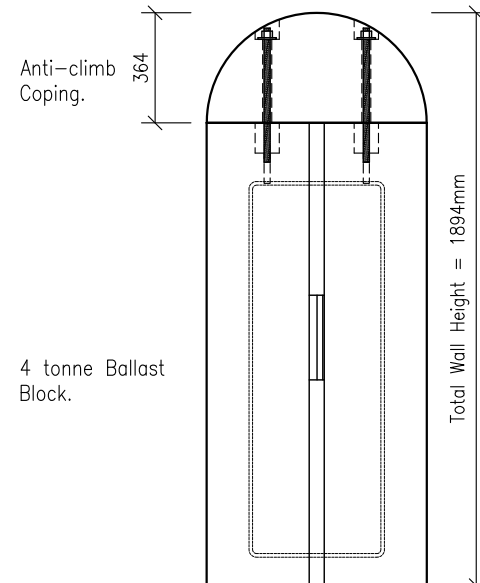
20mm  $\phi$  recessed lifting sockets. (4No)

Patented JJ Hook System. 2No per unit, 1 on each side.

C28/35 concrete @ 28 days with 10mm & 14mm aggregate used in the manufacture of these units.

Coping to have 4No sleeves in locations shown to suit lifting socket positions in Ballast Block Type-2. 4No. M20 bolts with suitable washers & nuts used to bolt coping to ballast block.

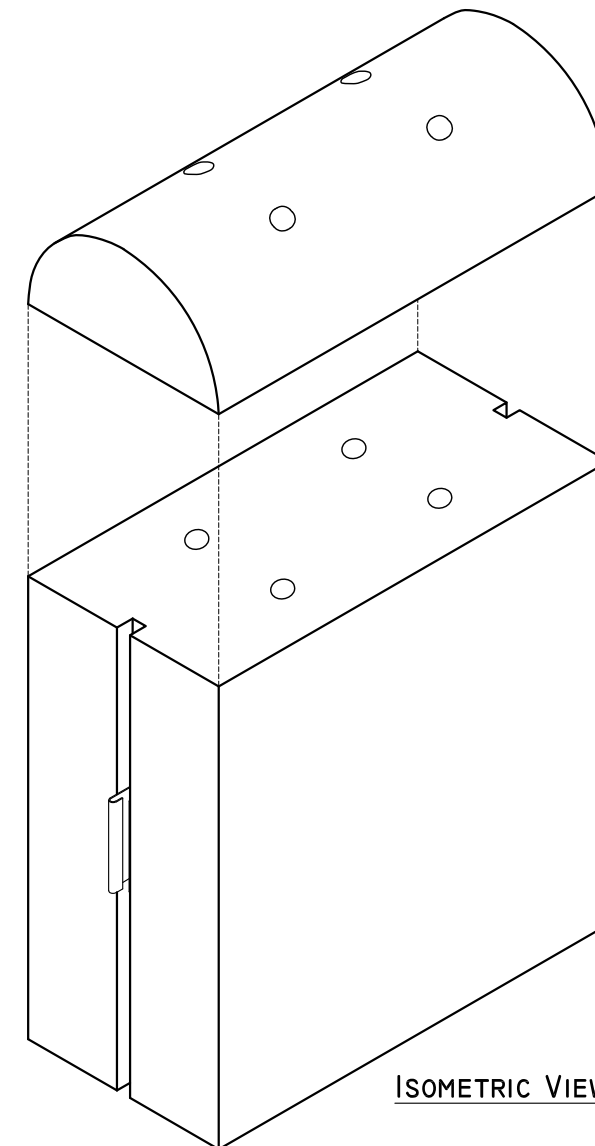
Weight of Coping - Approx. 0.75 tonne.



END VIEW (CONNECTED).

4 tonne Ballast Block.

Total Wall Height = 1894mm



ISOMETRIC VIEW

Anti-climb Coping.

Ballast Block - Type 2 (4T)  
See APC-905-2

Note - Patented JJ Hook System shown. Block available with/without this system & on either short or long faces.

- DO NOT SCALE USE FIGURED DIMENSIONS ONLY.
- ALL DIMENSIONS TO BE CHECKED ON SITE.
- A.P.C TO BE INFORMED OF ANY DISCREPANCIES BEFORE WORK PROCEEDS.

Revision:	Description:	Drawn By:	Date:
A	Dimensions altered.	ND	08/01/16
B	Notation amended.	ND	26/05/20

Project: Technical Data Sheet		
Title: Ancillary Items for Ballast Block Type 2. Anti-Climb Coping Unit.		
Drawing No:	Revision:	Date:
APC - 905-3	B	08/01/2016

Sheet Size:	A3
Drawing Scale:	1:25
Drawn By:	N.D.
Checked By:	



**Ardee Precast Concrete Ltd.**  
Townparks Ardee Co. Louth  
Tel. +353(0)41 6856372  
Fax. +353(0)41 6857216  
Email us at info@ardeeprecastconcrete.ie  
Visit us at www.ardeeprecastconcrete.ie

© COPYRIGHT: Ardee Precast Concrete.  
This drawing or any part thereof may not be copied or otherwise reproduced without the written permission of Ardee Precast Concrete.