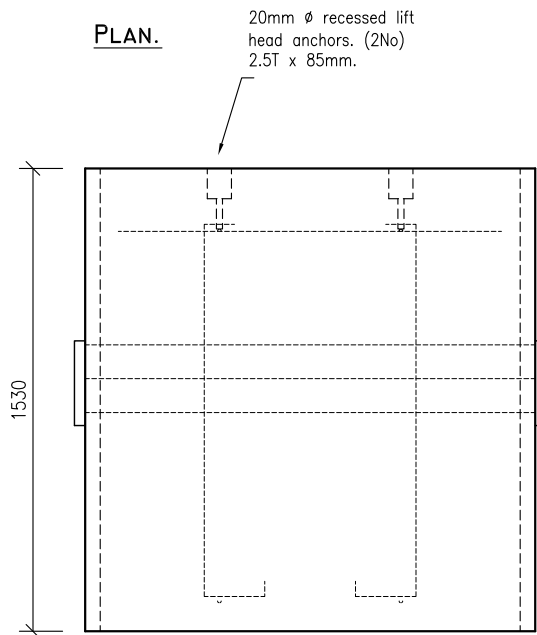
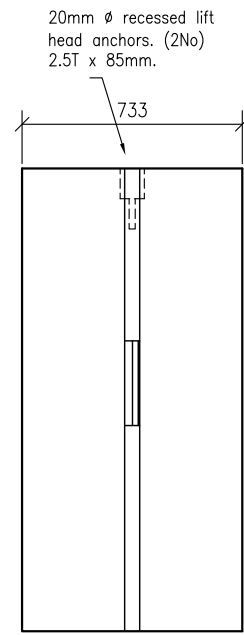


**PLAN.**



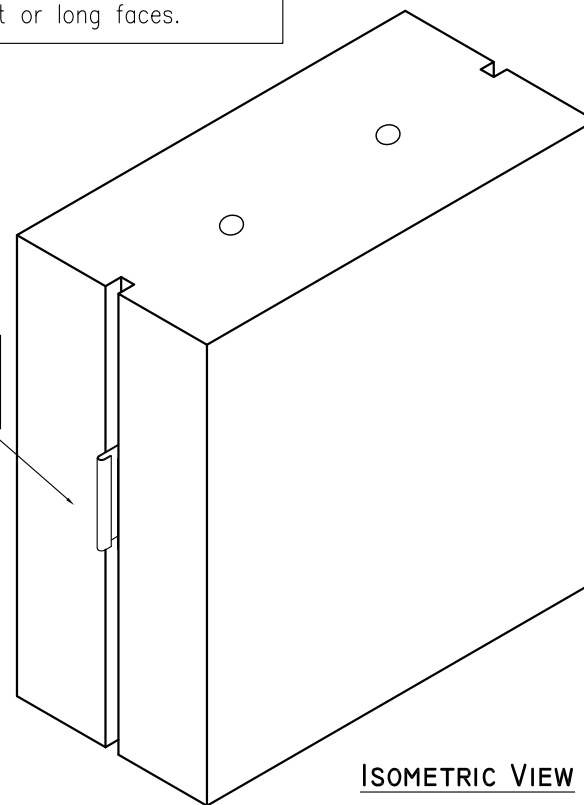
**ELEVATION.**



**END VIEW.**

Note – Patented JJ Hook System shown. Block available with/without this system & on either short or long faces.

Patented JJ Hook System. 2No per unit, 1 on each side.



**ISOMETRIC VIEW**

C28/35 concrete @ 28 days with 10mm & 14mm aggregate used in the manufacture of this unit.

2No 20mm  $\varnothing$  recessed lift anchors – 2.5T x 85mm.

Nominal reinforcement in both directions around lifting head anchors & between JJ Hook system where fitted.

Weight – Approx. 4.00 tonne.

C. Notes & title block amended. May 2020

- DO NOT SCALE USE FIGURED DIMENSIONS ONLY.
- ALL DIMENSIONS TO BE CHECKED ON SITE.
- A.P.C TO BE INFORMED OF ANY DISCREPANCIES BEFORE WORK PROCEEDS.

© COPYRIGHT: Ardee Precast Concrete. This drawing or any part thereof may not be copied or otherwise reproduced without the written permission of Ardee Precast Concrete.

Project:  
**TECHNICAL DATA SHEET.**

Title:  
**BALLAST BLOCK - TYPE 2.  
(1500 x 733 x 1530MM HIGH)**

Drawing No:  
**APC - 905-2**

Revision:  
**C**

Date:  
**05/12/2017**

Sheet Size:  
**A4**

Drawing Scale:  
**1:25**

Drawn By:  
**N.D.**

Checked By:



**Ardee Precast Concrete Ltd.**  
Townparks Ardee Co. Louth  
Tel. +353(0)41 6856372  
Fax. +353(0)41 6857216

Email us at [info@ardeeprecastconcrete.ie](mailto:info@ardeeprecastconcrete.ie)  
Visit us at [www.ardeeprecastconcrete.ie](http://www.ardeeprecastconcrete.ie)