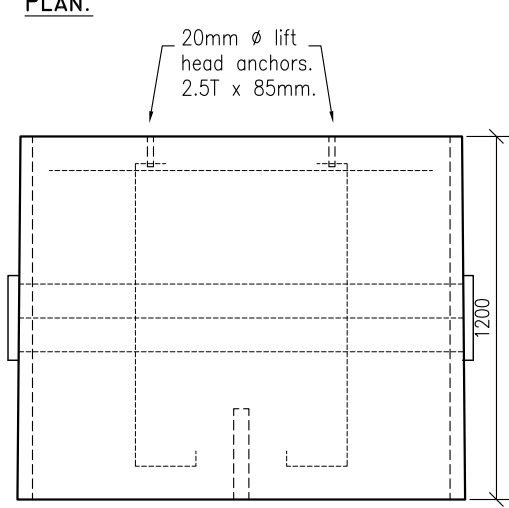
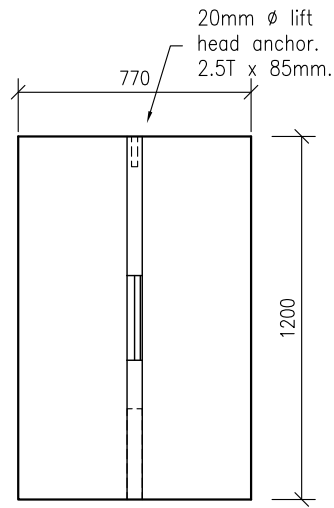


PLAN.



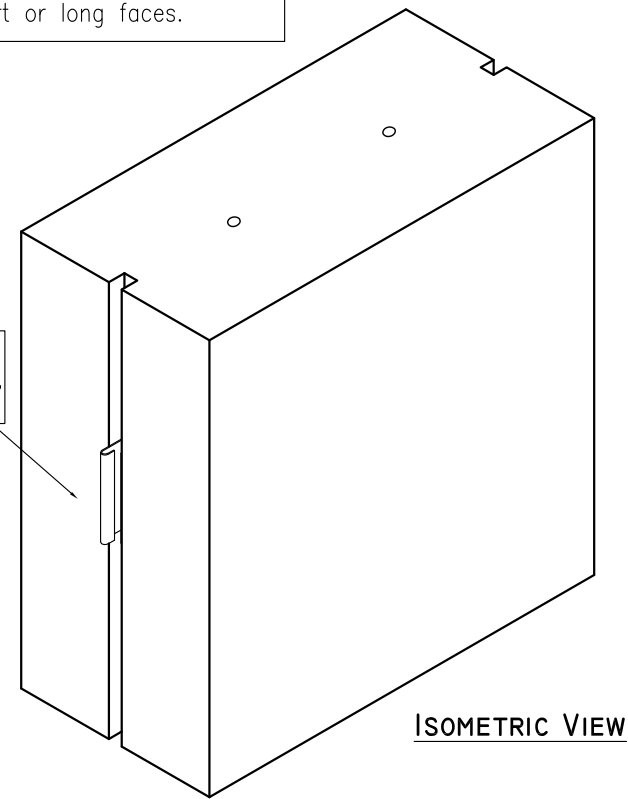
ELEVATION.



END VIEW.

Note – Patented JJ Hook System shown. Block available with/without this system & on either short or long faces.

Patented JJ Hook System. 2No per unit, 1 on each side.



ISOMETRIC VIEW

C28/35 concrete @ 28 days with 10mm & 14mm aggregate used in the manufacture of this unit.

Nominal reinforcement in both directions around lifting head anchors & between JJ Hook system where fitted.

Weight – Approx. 3.25 tonne.

C. Notes & title block amended. May 2020

- DO NOT SCALE USE FIGURED DIMENSIONS ONLY.
- ALL DIMENSIONS TO BE CHECKED ON SITE.
- A.P.C TO BE INFORMED OF ANY DISCREPANCIES BEFORE WORK PROCEEDS.

© COPYRIGHT: Ardee Precast Concrete. This drawing or any part thereof may not be copied or otherwise reproduced without the written permission of Ardee Precast Concrete.

Project:
TECHNICAL DATA SHEET.

Title:
**BALLAST BLOCK - TYPE I.
(1460 X 770 X 1200MM HIGH)**

Drawing No:
APC - 905-1

Revision:
C

Date:
05/12/2017

Sheet Size:
A4

Drawing Scale:
1:25

Drawn By:
N.D.

Checked By:



Ardee Precast Concrete Ltd.

Townparks
Ardee
Co. Louth

Tel. +353(0)41 6856372
Fax. +353(0)41 6857216

Email us at info@ardeeprecastconcrete.ie
Visit us at www.ardeeprecastconcrete.ie