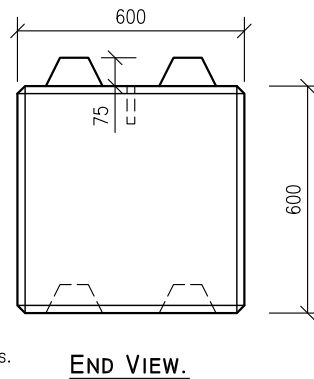
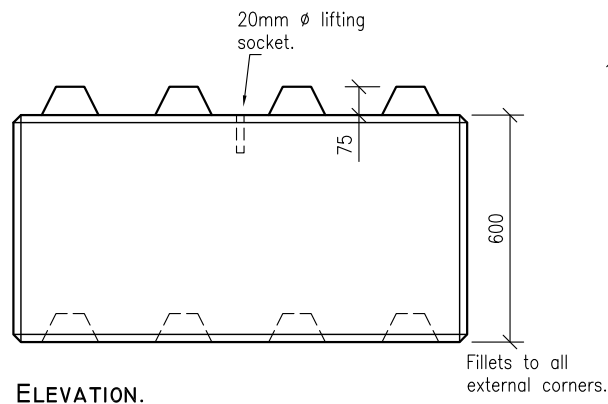
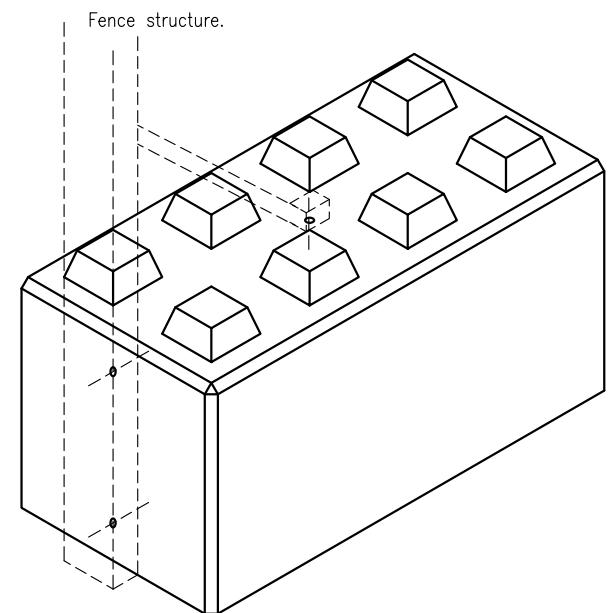


E/O Option.
 Cast 2No 16mm \varnothing sockets in to gable of block as connection for site fencing etc. Block will act as ballast. Fence can be diagonally supported from lifting socket in centre of block.

E/O Option.
 Also available in 600mm x 600mm x 600mm half tonne units.



Weight for 1200mm x 600mm x 600mm unit is 1 tonne.

C28/35 concrete @ 28 days with 10mm & 14mm aggregate used in the manufacture of this unit.

No steel reinforcing.

C. Redrawn.

May 2020

- DO NOT SCALE USE FIGURED DIMENSIONS ONLY.
- ALL DIMENSIONS TO BE CHECKED ON SITE.
- A.P.C TO BE INFORMED OF ANY DISCREPANCIES BEFORE WORK PROCEEDS.

© COPYRIGHT: Ardee Precast Concrete.
 This drawing or any part thereof may not be copied or otherwise reproduced without the written permission of Ardee Precast Concrete.

Project: TECHNICAL DATA SHEET.			Sheet Size: A4
Title: INTERLOCKING BLOCK - TYPE I.			Drawing Scale: 1:20
Drawing No: APC - 900-I			Drawn By: N.D.
Revision: C	Date: 30-05-2020	Checked By:	



Ardee Precast Concrete Ltd.
 Townparks Ardee Co. Louth
 Tel. +353(0)41 6856372
 Fax. +353(0)41 6857216
 Email us at info@ardeeprecastconcrete.ie
 Visit us at www.ardeeprecastconcrete.ie