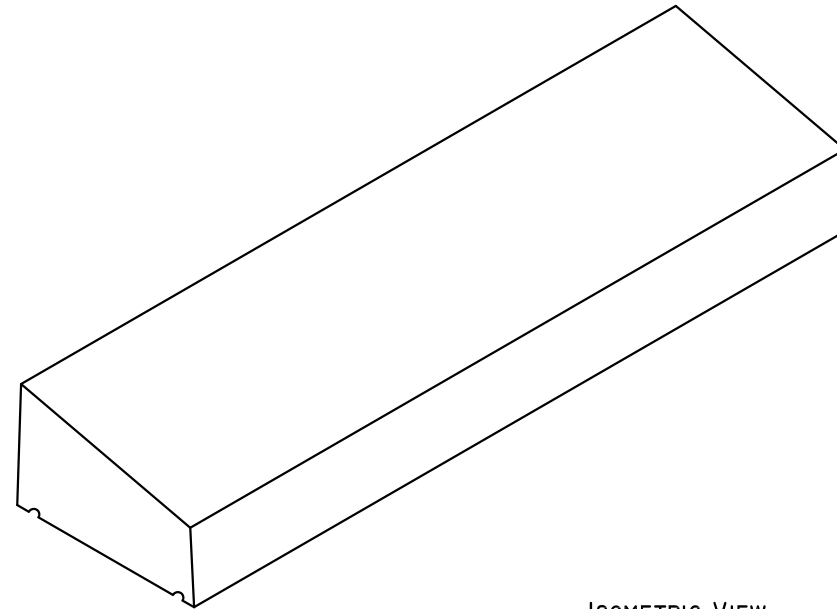
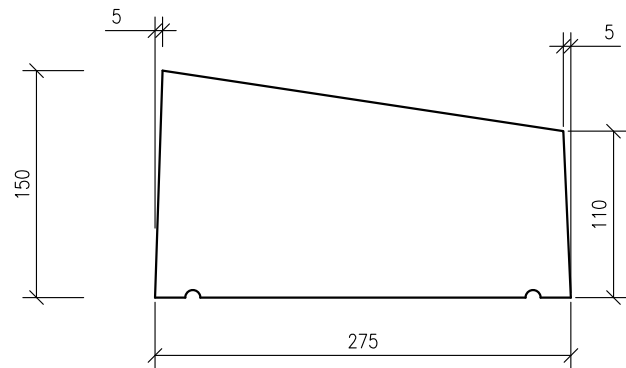


PLAN.



ISOMETRIC VIEW.



END VIEW.

C28/35 concrete @ 28 days with 10mm & 14mm aggregate used in the manufacture of this unit.

No reinforcement.

- DO NOT SCALE USE FIGURED DIMENSIONS ONLY.
- ALL DIMENSIONS TO BE CHECKED ON SITE.
- A.P.C TO BE INFORMED OF ANY DISCREPANCIES BEFORE WORK PROCEEDS.

© COPYRIGHT: Ardee Precast Concrete.  
This drawing or any part thereof may not be copied or otherwise reproduced without the written permission of Ardee Precast Concrete.

Project:  
**TECHNICAL DATA SHEET.**

Title:  
**COPINGS - TYPE I9.  
275MM WIDE - FEATHERED SPLAY.  
150MM > 110MM.**

Drawing No:  
**APC - 624**

Revision:

Date:  
**02-10-2019**

Sheet Size:  
**A4**

Drawing Scale:  
**1:10, 1:5**

Drawn By:  
**N.D.**

Checked By:



**Ardee Precast Concrete Ltd.**

Townparks  
Ardee  
Co. Louth

Tel. +353(0)41 6856372  
Fax. +353(0)41 6857216

Email us at [info@ardeeprecastconcrete.ie](mailto:info@ardeeprecastconcrete.ie)  
Visit us at [www.ardeeprecastconcrete.ie](http://www.ardeeprecastconcrete.ie)