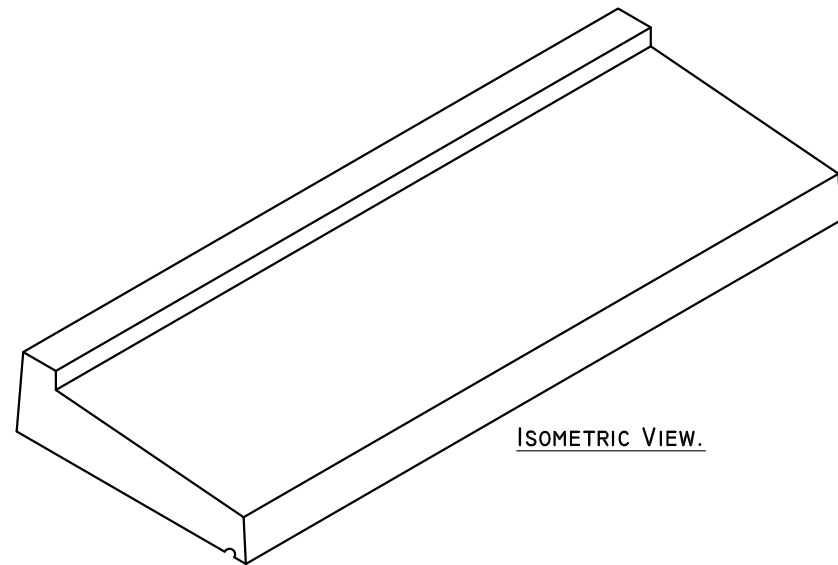
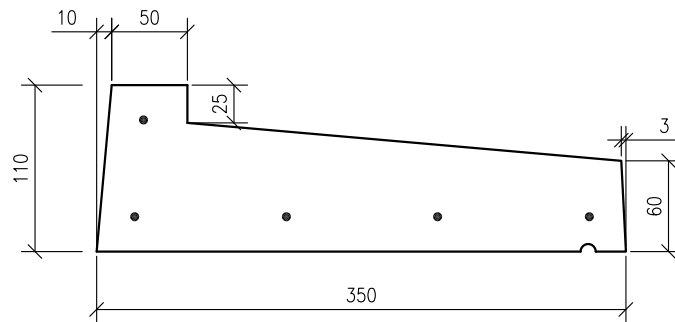


PLAN.



ISOMETRIC VIEW.



SECTION.

C28/35 concrete @ 28 days with 10mm & 14mm aggregate used in the manufacture of this unit.

Steel reinforcing consists of 4No. R6mm bars with 20mm cover (minimum) & 30mm at ends. Rebar located by patent plastic spacers – 2No per cill under 1200mm long & min 3No otherwise.

Cill complies with IS 89-1: 1981

A. Title block amended.

May 2020

- DO NOT SCALE USE FIGURED DIMENSIONS ONLY.
- ALL DIMENSIONS TO BE CHECKED ON SITE.
- A.P.C TO BE INFORMED OF ANY DISCREPANCIES BEFORE WORK PROCEEDS.

© COPYRIGHT: Ardee Precast Concrete.  
This drawing or any part thereof may not be copied or otherwise reproduced without the written permission of Ardee Precast Concrete.

Project:

**TECHNICAL DATA SHEET.**

Sheet Size:

**A4**

Title:

**CILLS - TYPE 7.  
60MM ON FACE, 350MM WIDE.**

Drawing Scale:

**1:10, 1:5**

Drawn By:

**N.D.**

Drawing No:

**APC - 506**

Revision:

**A**

Date:

**23/06/2014**

Checked By:



**Ardee Precast Concrete Ltd.**

Townparks  
Ardee  
Co. Louth

Tel. +353(0)41 6856372  
Fax. +353(0)41 6857216

Email us at [info@ardeeprecastconcrete.ie](mailto:info@ardeeprecastconcrete.ie)  
Visit us at [www.ardeeprecastconcrete.ie](http://www.ardeeprecastconcrete.ie)