



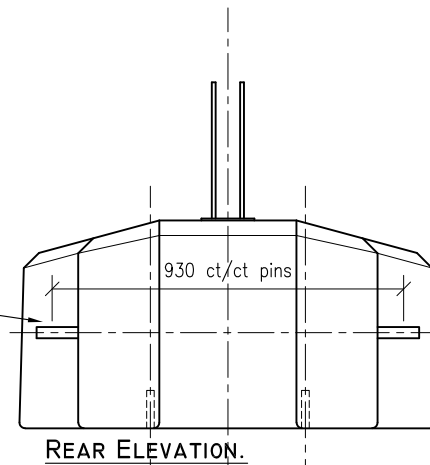
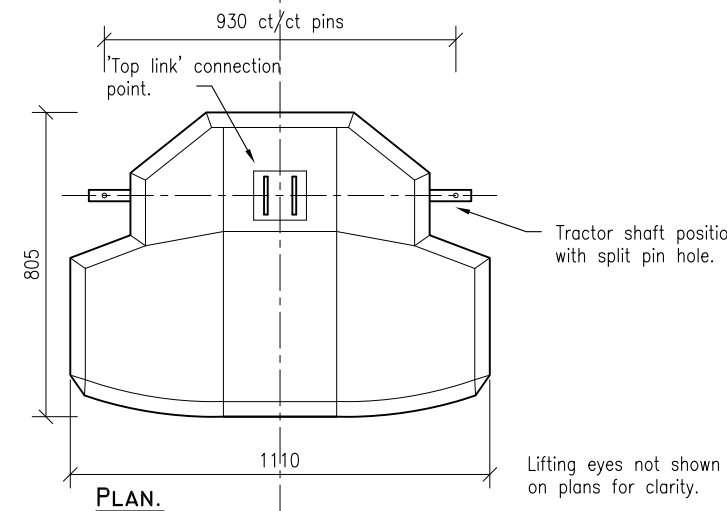
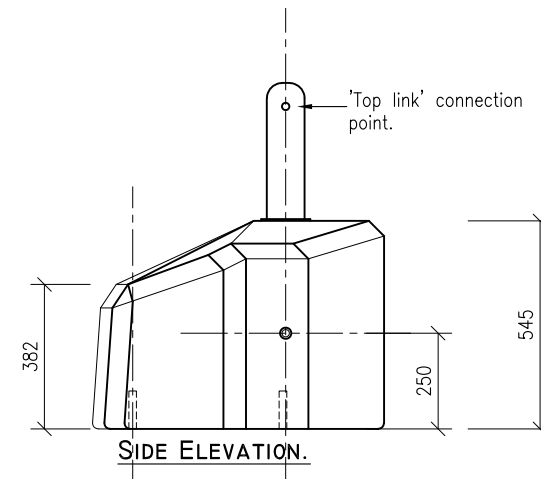
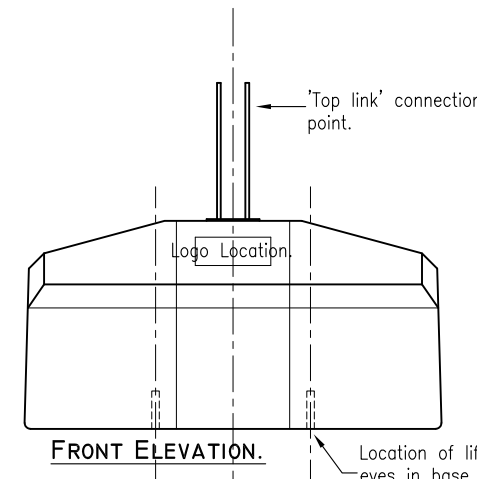
Weight design & manufactured in accordance with BS 5502.

C-35 concrete @ 28 days with 14mm aggregate used in the manufacture of this unit.

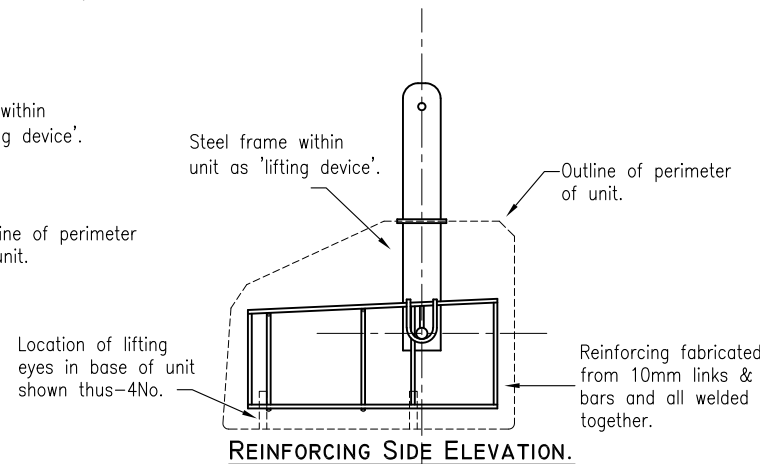
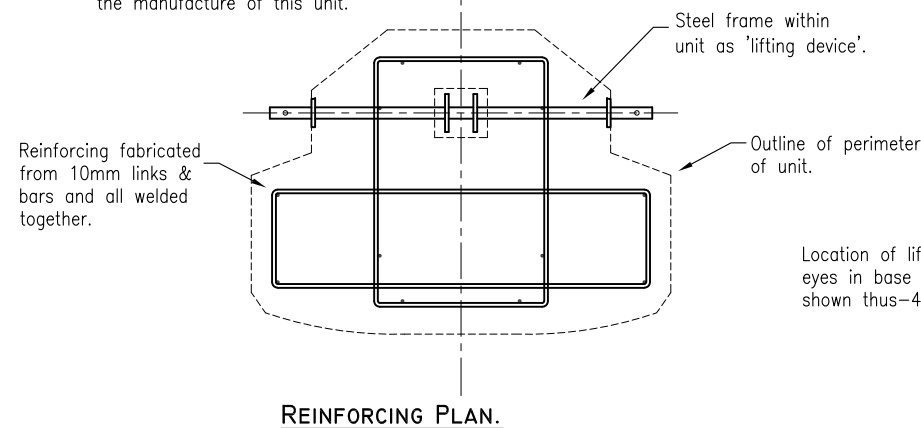
Steel reinforcing to BS4449 & fabricated from 10mm dia. links & bars and all welded together.

3-point linkage system fabricated from mild steel to design shown.

20mm dia. treaded lifting sockets with 30mm long treaded section.




C-35 concrete @ 28 days with 14mm aggregate used in the manufacture of this unit.



A. Title block amended.

May 2020

Project: TECHNICAL SHEET.		Sheet Size: A3	 Ardee Precast Concrete Ltd. Townparks, Ardee, Co. Louth. Tel. +353(0)41 6856372 Email. info@ardeeprecastconcrete.ie www.ardeeprecastconcrete.ie
Title: 750KG BALLAST WEIGHT UNIT.		Drawing Scale: 1:20	
		Drawn By: N.D.	
Drawing No: APC - 201	Revision: A	Date: 12-07-2011	Checked By: D.C.
			Plot B, Old Dalby Business Park, Station Road, Old Dalby, Melton Mowbray, LE14 3NJ Tel. 01949 838647 Email. info@apccivils.co.uk

© COPYRIGHT: Ardee Precast Concrete.
This drawing or any part thereof may not be copied or otherwise reproduced without the written permission of Ardee Precast Concrete.