

Foundation:

The barrier can be placed on surfaces such as concrete, asphalt and compacted & levelled hardcore, clause 804 or similar, with appropriate height and width.

Concrete Barrier Sections.

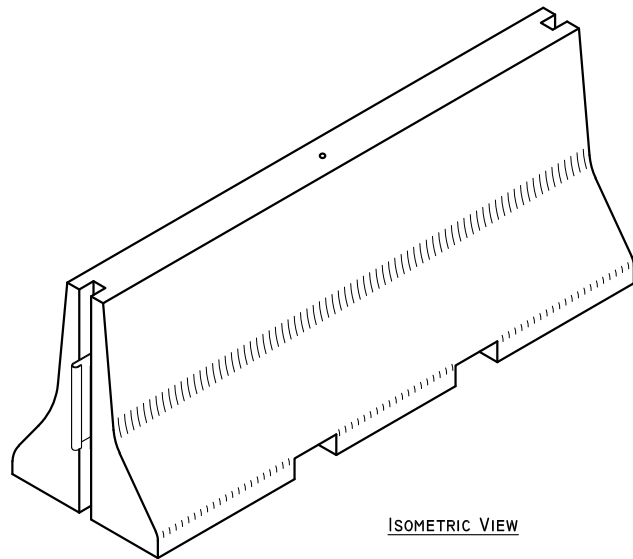
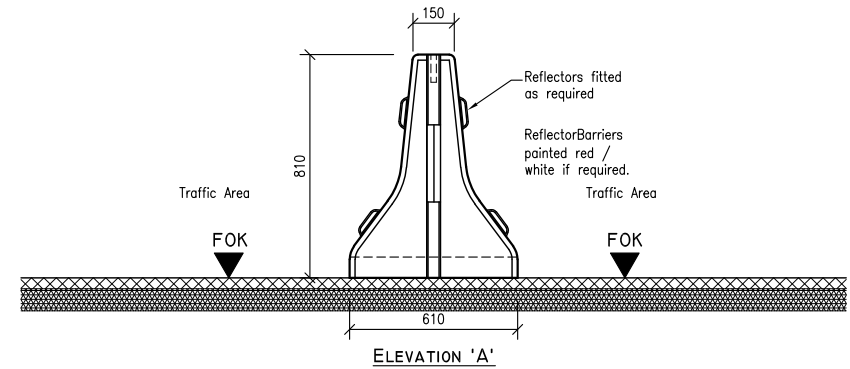
Reinforced C28/35 concrete barriers (New Jersey shape), double-sided, Type 81-2 measuring 2000mm x 610mm x 810mm (L x B x H) for use as a free standing and permanent system without any backing.

Reinforcement frame using T12mm bars fitted in centre of barrier.

Reflectors to be fitted as required after barrier installation.

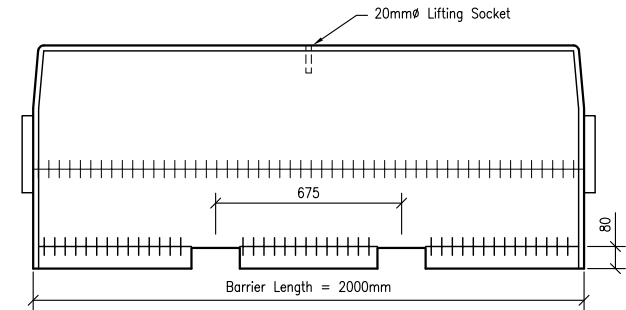
Forklift slots to be provided, 200mm x 70mm @ 675mm centres.

Barriers painted red / white as required.

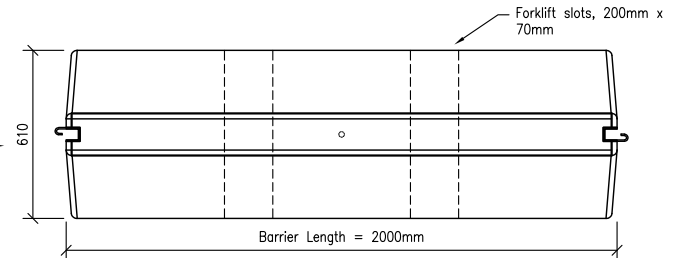


ISOMETRIC VIEW

The barrier is available with/without JJ interconnecting hooks and/or forklift slots.



FRONT ELEVATION



PLAN VIEW

DOUBLE-SIDED CONCRETE BARRIER SECTIONS WITHOUT BACKING (FREE - STANDING)

• DO NOT SCALE USE FIGURED DIMENSIONS ONLY.
• ALL DIMENSIONS TO BE CHECKED ON SITE.
• A.P.C TO BE INFORMED OF ANY DISCREPANCIES BEFORE WORK PROCEEDS.

| Revision: | Description: | Drawn By: | Date: |
|-----------|----------------|-----------|----------|
| A | Text amended | ND | 21/10/16 |
| B | Text amended | ND | 24/4/18 |
| C | JJ Hooks added | ND | 16/8/19 |

| | | |
|-------------------------------------------------------------|-----------|------------|
| Project: Technical Data Sheet | | |
| Title: Type 81-2 Precast Concrete Safety Barrier - 2m long. | | |
| Drawing No: | Revision: | Date: |
| APC - 130 | C | 16-08-2019 |

| | |
|----------------|------|
| Sheet Size: | A3 |
| Drawing Scale: | 1:20 |
| Drawn By: | N.D. |
| Checked By: | |



Ardee Precast Concrete Ltd.
Townparks, Ardee, Co. Louth.
Tel. +353(0)41 6856372
Email. Info@ardeeprecastconcrete.ie
www.ardeeprecastconcrete.ie
Also:
Plot B, Old Darby Trading Estate, Station Road,
Old Darby, Malton Mowbray, LE14 3NJ
Tel. 01949 838647 Email. info@apccivils.co.uk

© COPYRIGHT: Ardee Precast Concrete.
This drawing or any part thereof may not be copied or otherwise reproduced without the written permission of Ardee Precast Concrete.