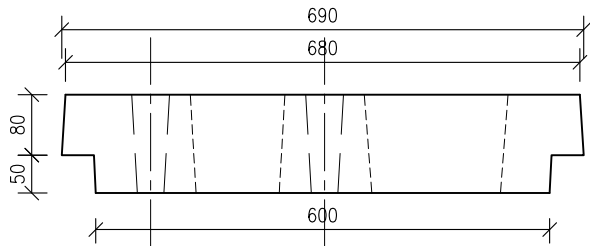
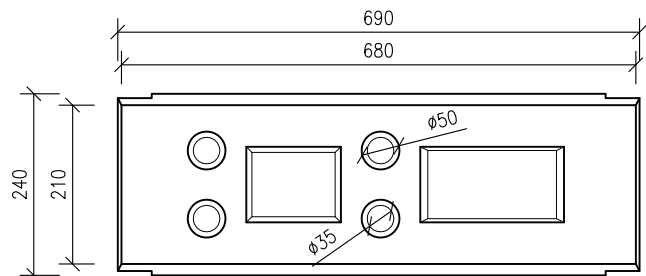


SIDE ELEVATION.

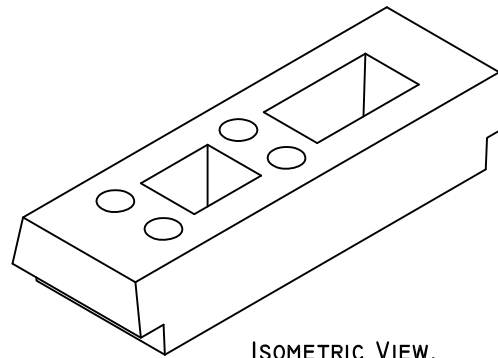


FRONT ELEVATION.



Circular sockets taper from 50 ϕ at top to 35 ϕ at bottom.
 Ope tapers from 125 x 100mm at top to 110 x 85mm at bottom.
 Ope tapers from 190 x 100mm at top to 170 x 90mm at bottom.

PLAN.



ISOMETRIC VIEW.

C35/45 concrete @ 28 days used in the manufacture of this unit.

This product complies with BS 1722-18 2011.

Steel reinforcing consists of 2No. R6mm bars with 20mm cover (minimum) & 30mm at ends. Rebar located by patent plastic spacers & fitted in upper section of product.

WEIGHT OF PRODUCT = 34KG.



A. Notation amended.

March '14

- DO NOT SCALE USE FIGURED DIMENSIONS ONLY.
- ALL DIMENSIONS TO BE CHECKED ON SITE.
- A.P.C TO BE INFORMED OF ANY DISCREPANCIES BEFORE WORK PROCEEDS.

© COPYRIGHT: Ardee Precast Concrete.
 This drawing or any part thereof may not be copied or otherwise reproduced without the written permission of Ardee Precast Concrete.

Project:

TECHNICAL DATA SHEET.

Title:

CONCRETE FENCE PLINTH.

Drawing No:

APC - 409

Revision:

A

Date:

07-10-2011

Sheet Size:

A4

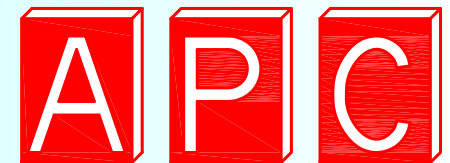
Drawing Scale:

1:10

Drawn By:

N.D.

Checked By:



Ardee Precast Concrete Ltd.

Townparks

Tel. +353(0)41 6856372

Ardee

Fax. +353(0)41 6857216

Co. Louth

Email us at info@ardeeprecastconcrete.com

Visit us at www.ardeeprecastconcrete.com