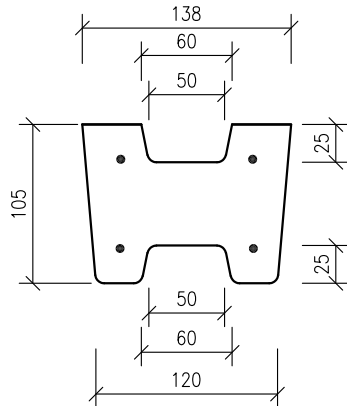
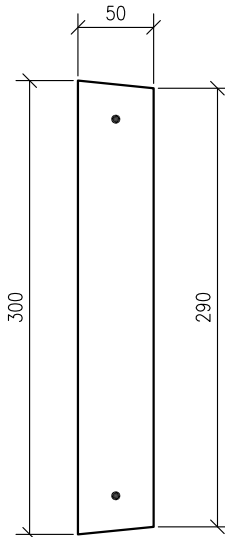


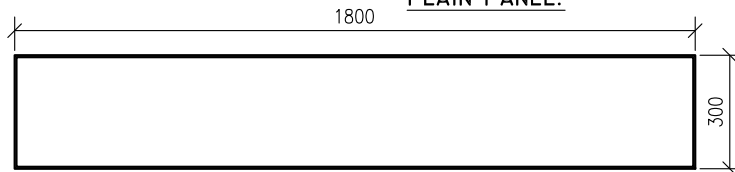
ELEVATION OF POST.



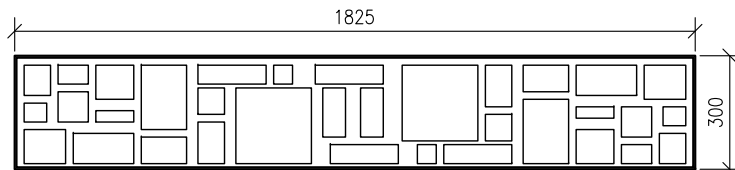
SECTION THRU' POST.



SECTION THRU' PLAIN PANEL.



PLAIN PANEL.



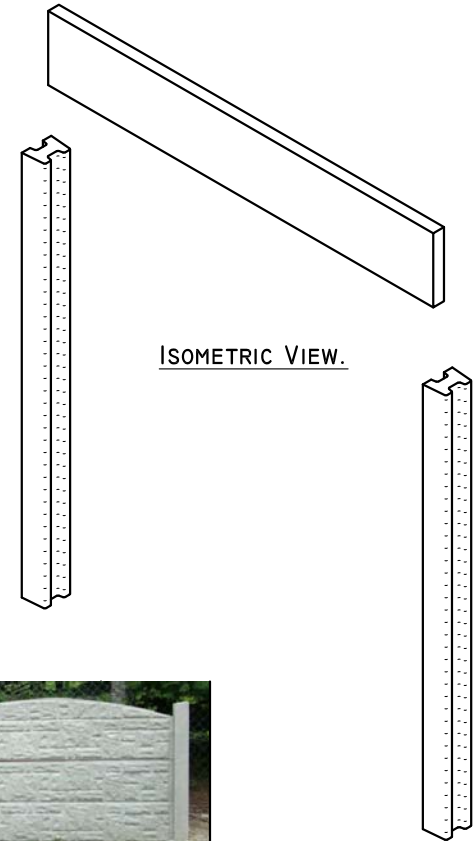
ROCKFACED PANEL.

C35/45 concrete @ 28 days used in the manufacture of this unit.

Steel reinforcing to post & panels consists of 4No. R6mm bars & 2No. R8mm bars respectively. All with 20mm cover (minimum) & 30mm at ends. Rebar located by patent plastic spacers.

The 'H' Fencing Post comes in 3 standard lengths - 1.80m, 2.65m & 3.00 long.

There are 2 types of panels - plain or rockfaced. The rockfaced product comes with 2 alternative types of top panels as illustrated in the image below.



ISOMETRIC VIEW.



- DO NOT SCALE USE FIGURED DIMENSIONS ONLY.
- ALL DIMENSIONS TO BE CHECKED ON SITE.
- A.P.C TO BE INFORMED OF ANY DISCREPANCIES BEFORE WORK PROCEEDS.

© COPYRIGHT: Ardee Precast Concrete.
This drawing or any part thereof may not be copied or otherwise reproduced without the written permission of Ardee Precast Concrete.

Project:

TECHNICAL DATA SHEET.

Title:

'H' FENCING POST & PANEL.

Drawing No:

APC - 407

Revision:

B

Date:

07-10-2011

Sheet Size:

A4

Drawing Scale:

1:20, 1:5

Drawn By:

N.D.

Checked By:

B. Notation amended.

May '18



Ardee Precast Concrete Ltd.

Townparks
Ardee
Co. Louth

Tel. +353(0)41 6856372
Fax. +353(0)41 6857216

Email us at info@ardeeprecastconcrete.ie
Visit us at www.ardeeprecastconcrete.ie