



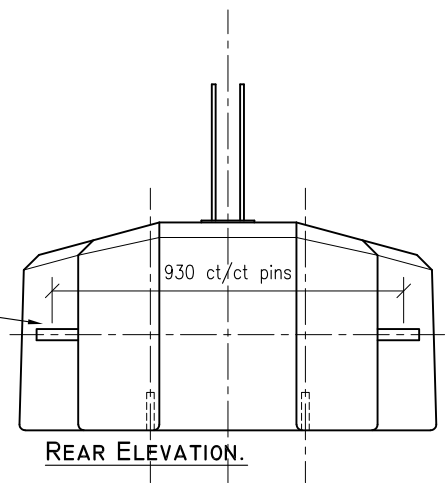
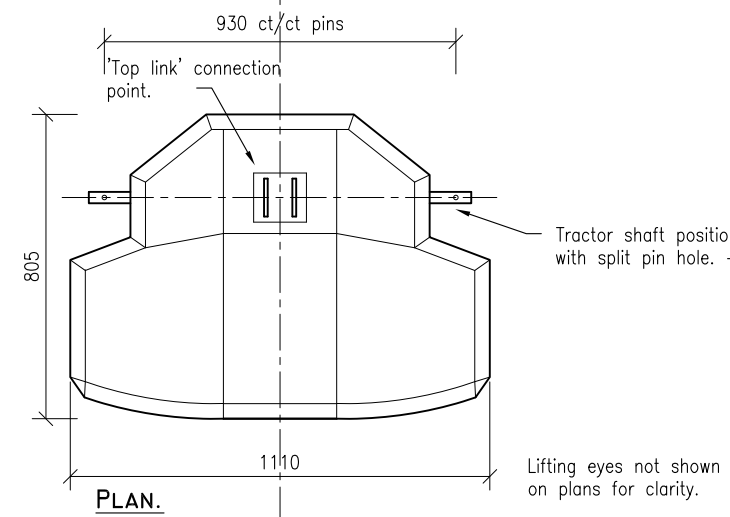
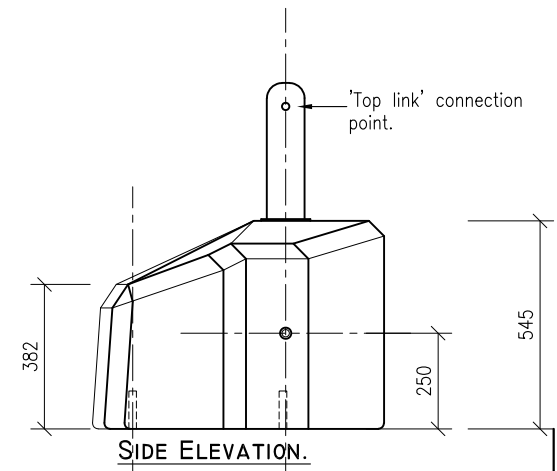
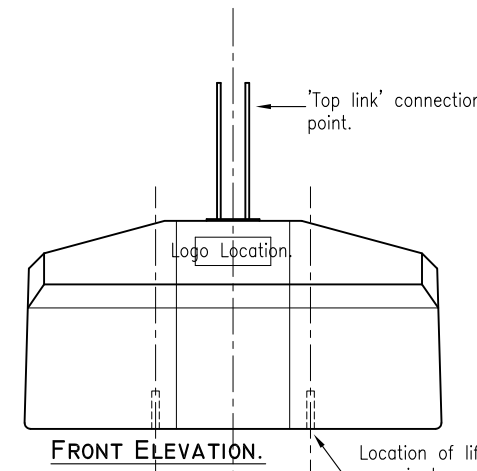
Weight design & manufactured in accordance with BS 5502.

C-35 concrete @ 28 days with 14mm aggregate used in the manufacture of this unit.

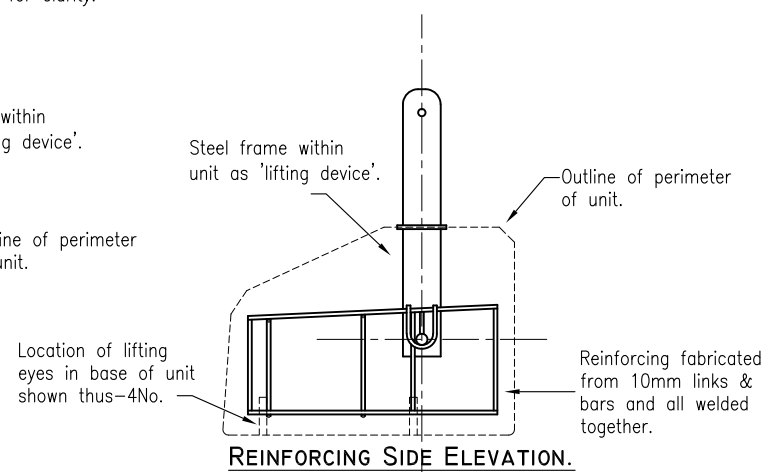
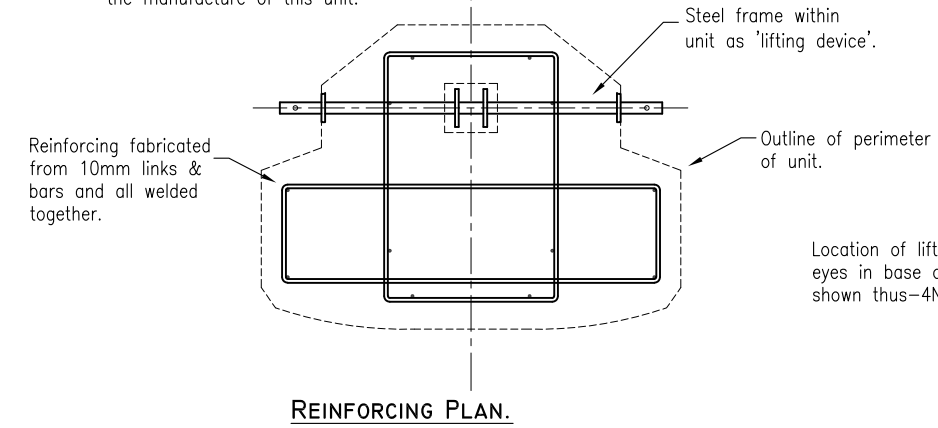
Steel reinforcing to BS4449 & fabricated from 10mm dia. links & bars and all welded together.

3-point linkage system fabricated from mild steel to design shown.


20mm dia. treaded lifting sockets with 30mm long treaded section.



C-35 concrete @ 28 days with 14mm aggregate used in the manufacture of this unit.



Project:		Sheet Size:	
TECHNICAL SHEET.		A3	
Title:		Drawing Scale:	
750KG BALLAST WEIGHT UNIT.		1:20	
Drawing No:		Drawn By:	
APC - 201	Revision:	N.D.	
Date:		Checked By:	
12-07-2011		D.C.	

  
**Ardee Precast Concrete Ltd.**  
 Townparks, Ardee, Co. Louth.  
 Tel. +353(0)41 6856372  
 Email. [info@ardeeprecastconcrete.ie](mailto:info@ardeeprecastconcrete.ie)  
[www.ardeeprecastconcrete.ie](http://www.ardeeprecastconcrete.ie)

Ranch House, 1 Chapel Lane,  
 Bingham, Nottingham, NG13 8GF  
 Tel. 01949 838647 Email. [info@apccivils.co.uk](mailto:info@apccivils.co.uk)

© COPYRIGHT: Ardee Precast Concrete.  
 This drawing or any part thereof may not be copied or otherwise reproduced without the written permission of Ardee Precast Concrete.