



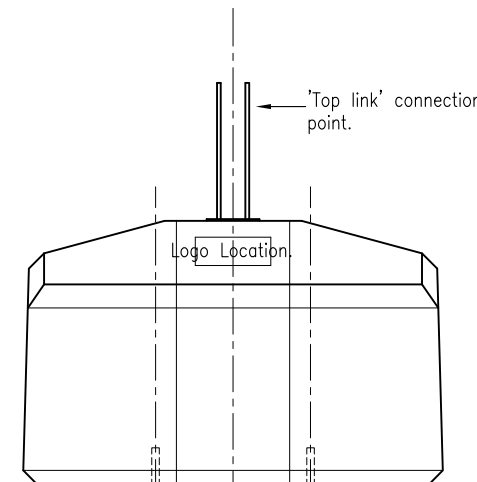
Weight design & manufactured in accordance with BS 5502.

C-35 concrete @ 28 days with 14mm aggregate used in the manufacture of this unit.

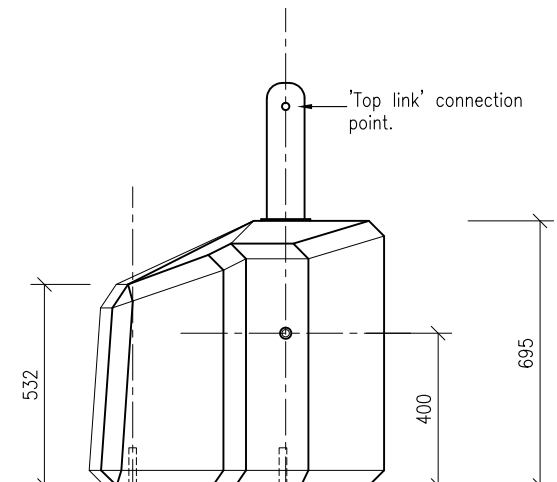
Steel reinforcing to BS4449 & fabricated from 10mm dia. links & bars and all welded together.

3-point linkage system fabricated from mild steel to design shown.

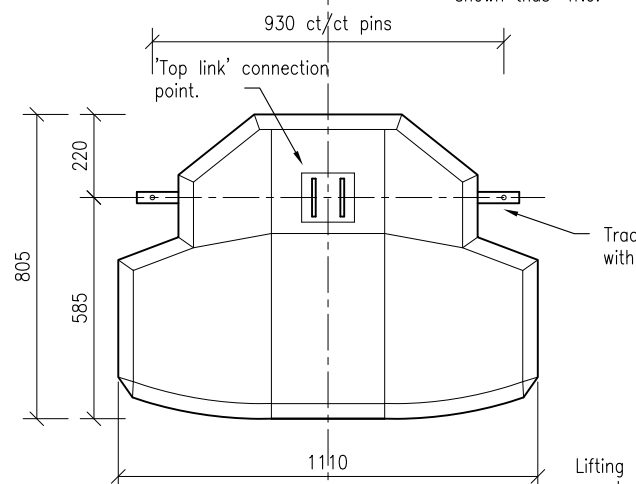
20mm dia. treaded lifting sockets with 30mm long treaded section.



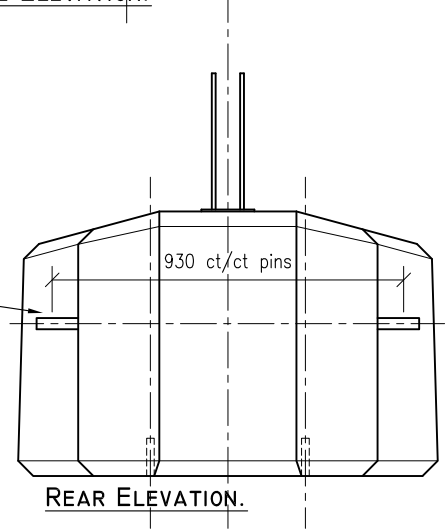
FRONT ELEVATION.



SIDE ELEVATION.

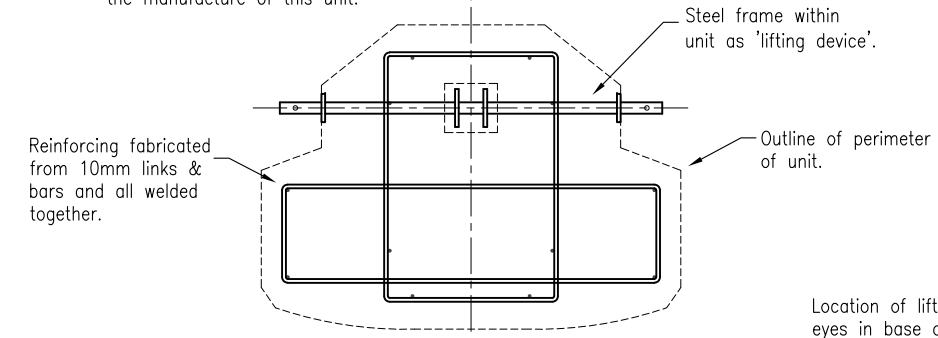


PLAN.

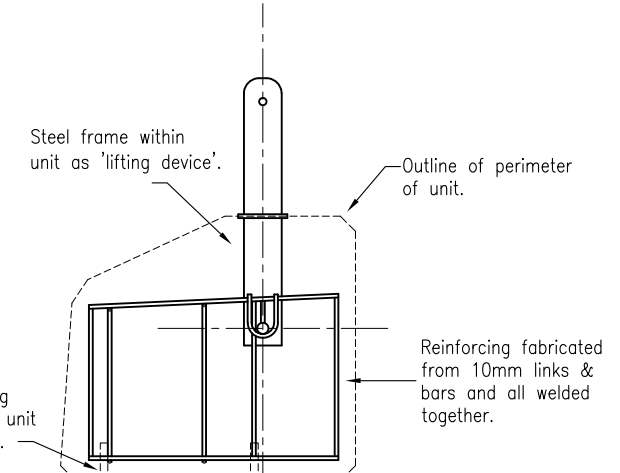


REAR ELEVATION.

C-35 concrete @ 28 days with 14mm aggregate used in the manufacture of this unit.




REINFORCING PLAN.



REINFORCING SIDE ELEVATION.

Project: TECHNICAL SHEET		Sheet Size: A3	
Title: 1000KG BALLAST WEIGHT UNIT.		Drawing Scale: 1:20	
Drawing No: APC - 200		Drawn By: N.D.	
Revision:	Date: 24-05-2011	Checked By: D.C.	



Ardee Precast Concrete Ltd.
 Townparks, Ardee, Co. Louth.
 Tel. +353(0)41 6856372
 Email. info@ardeeprecastconcrete.ie
www.ardeeprecastconcrete.ie

Ranch House, 1 Chapel Lane,
 Bingham, Nottingham, NG13 8GF
 Tel. 01949 838647 Email. info@apccivils.co.uk

© COPYRIGHT: Ardee Precast Concrete.
 This drawing or any part thereof may not be copied or otherwise reproduced without the written permission of Ardee Precast Concrete.