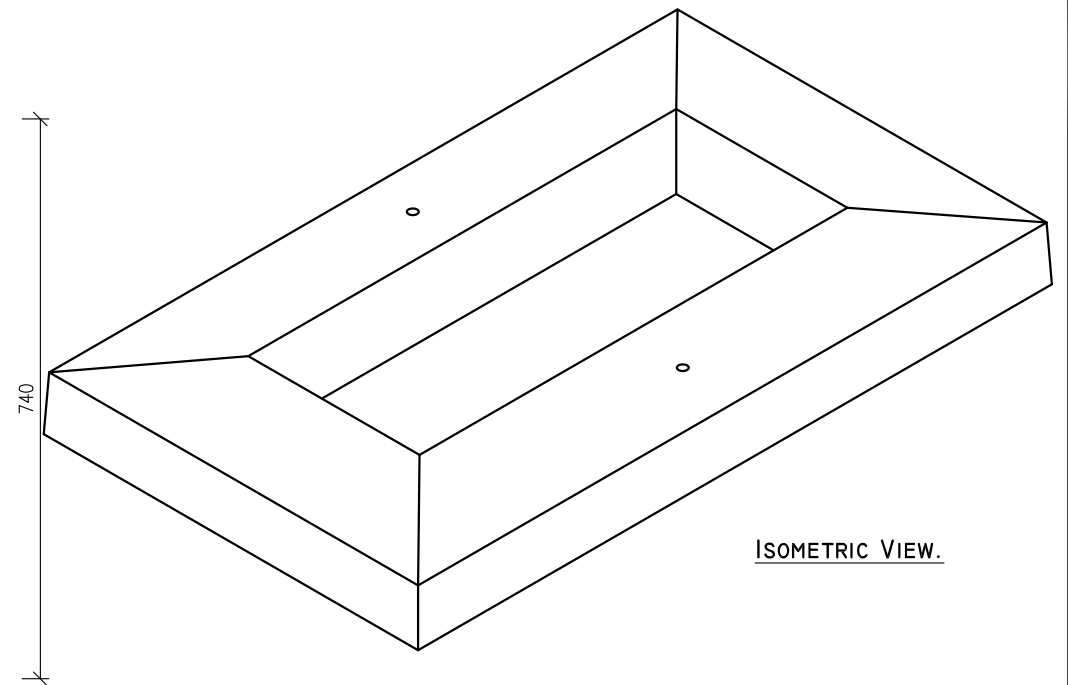
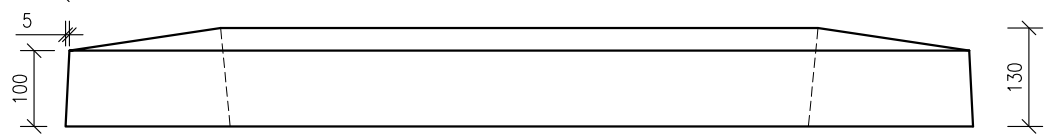


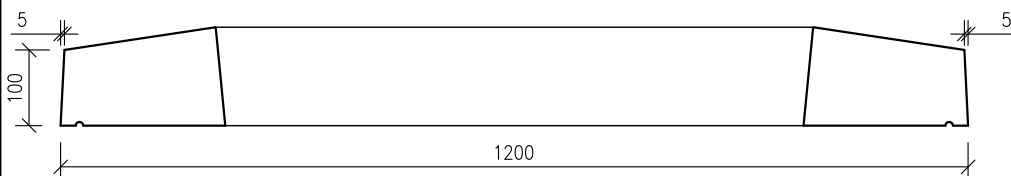
PLAN.



ISOMETRIC VIEW.



ELEVATION.



SECTION.

C-35 concrete @ 28 days with 10mm & 14mm aggregate used in the manufacture of this unit.

Steel reinforcing consists of 1No. T12mm link with 30mm cover (minimum). Rebar located by patent plastic spacers in unit.

2No. T16mm lifting sockets cast in top for installation purposes.

- DO NOT SCALE USE FIGURED DIMENSIONS ONLY.
- ALL DIMENSIONS TO BE CHECKED ON SITE.
- A.P.C TO BE INFORMED OF ANY DISCREPANCIES BEFORE WORK PROCEEDS.

© COPYRIGHT: Ardee Precast Concrete.
This drawing or any part thereof may not be copied or otherwise reproduced without the written permission of Ardee Precast Concrete.

Project:		TECHNICAL DATA SHEET.		Sheet Size:		A4	
Title:		CHIMNEY CAP - TYPE 7. DOUBLE, 1200MM LONG, 100MM FACE.		Drawing Scale:		1:10,	
Drawing No:		APC - 808		Drawn By:		N.D.	
Revision:				Date:		07-10-2011	
Date:				Checked By:			



Ardee Precast Concrete Ltd.
 Townparks Ardee Co. Louth
 Tel. +353(0)41 6856372
 Fax. +353(0)41 6857216
 Email us at info@ardeeprecastconcrete.com
 Visit us at www.ardeeprecastconcrete.com