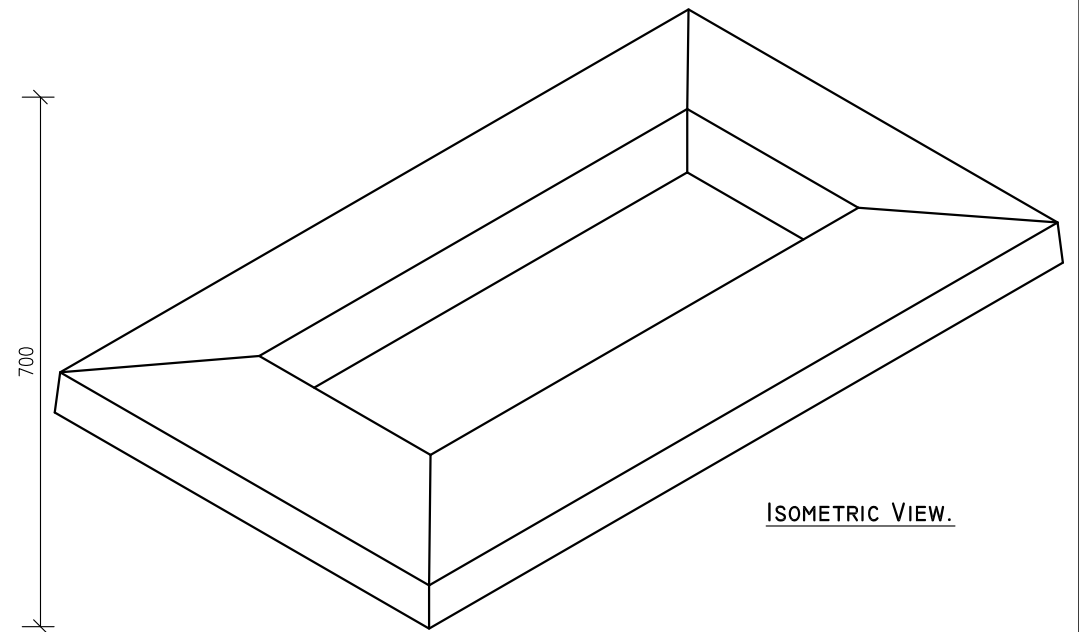
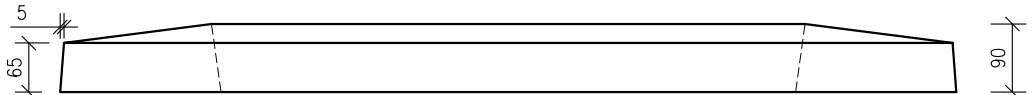


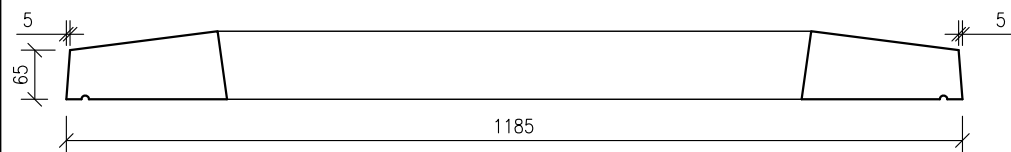
PLAN.



ISOMETRIC VIEW.



ELEVATION.



SECTION.

C-35 concrete @ 28 days with 10mm & 14mm aggregate used in the manufacture of this unit.

Steel reinforcing consists of 1No. T8mm link with 30mm cover (minimum). Rebar located by patent plastic spacers in unit.

- DO NOT SCALE USE FIGURED DIMENSIONS ONLY.
- ALL DIMENSIONS TO BE CHECKED ON SITE.
- A.P.C TO BE INFORMED OF ANY DISCREPANCIES BEFORE WORK PROCEEDS.

© COPYRIGHT: Ardee Precast Concrete.  
This drawing or any part thereof may not be copied or otherwise reproduced without the written permission of Ardee Precast Concrete.

Project:		<b>TECHNICAL DATA SHEET.</b>		Sheet Size:		<b>A4</b>	
Title:		<b>CHIMNEY CAP - TYPE 6. DOUBLE, 1185MM LONG, 65MM FACE.</b>		Drawing Scale:		<b>1:10,</b>	
Drawing No:		<b>APC - 807</b>		Drawn By:		<b>N.D.</b>	
Revision:				Checked By:			
Date:		<b>07-10-2011</b>					



**Ardee Precast Concrete Ltd.**  
Townparks Ardee Co. Louth  
Tel. +353(0)41 6856372  
Fax. +353(0)41 6857216  
Email us at [info@ardeeprecastconcrete.com](mailto:info@ardeeprecastconcrete.com)  
Visit us at [www.ardeeprecastconcrete.com](http://www.ardeeprecastconcrete.com)