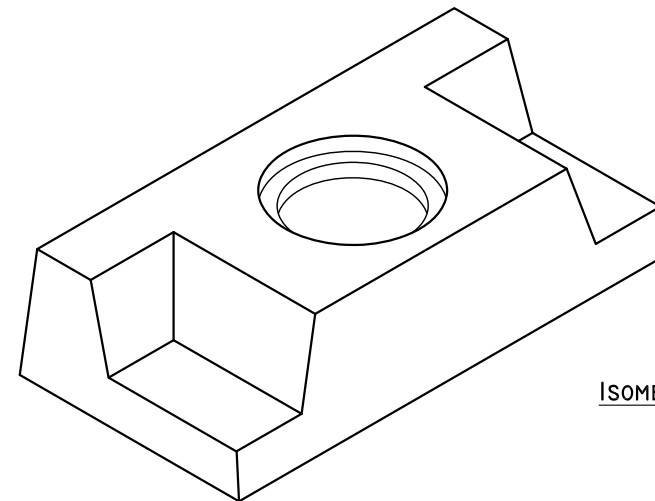
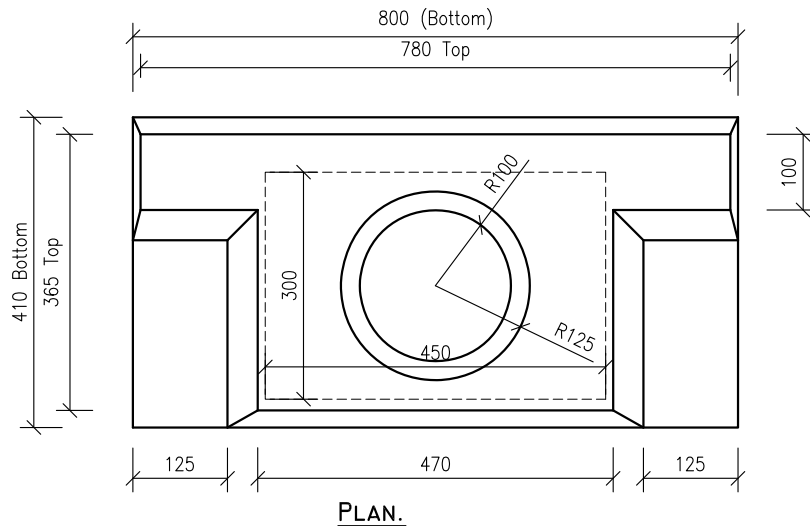


C-35 concrete @ 28 days with 10mm & 14mm aggregate used in the manufacture of this unit.

Steel reinforcing consists of 3No. T10mm bars with 20mm cover (minimum) & 30mm at ends. Rebar located by patent plastic spacers in unit.



- DO NOT SCALE USE FIGURED DIMENSIONS ONLY.
- ALL DIMENSIONS TO BE CHECKED ON SITE.
- A.P.C TO BE INFORMED OF ANY DISCREPANCIES BEFORE WORK PROCEEDS.

© COPYRIGHT: Ardee Precast Concrete.
This drawing or any part thereof may not be copied or otherwise reproduced without the written permission of Ardee Precast Concrete.

Project:
TECHNICAL DATA SHEET.

Title:
FLUE GATHERING LINTEL.

Drawing No:
APC - 800

Revision:

Date:
07-10-2011

Sheet Size:
A4

Drawing Scale:
1:10,

Drawn By:
N.D.

Checked By:



Ardee Precast Concrete Ltd.

Townparks
Ardee
Co. Louth

Tel. +353(0)41 6856372
Fax. +353(0)41 6857216

Email us at info@ardeeprecastconcrete.com
Visit us at www.ardeeprecastconcrete.com