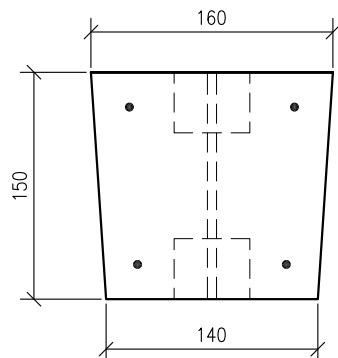
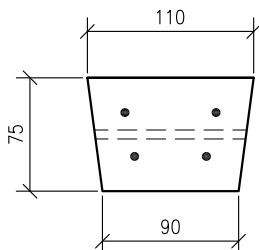


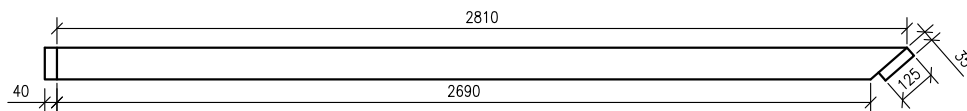
ELEVATION OF POST.



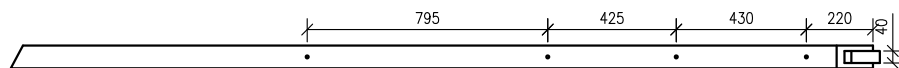
SECTION THRU' POST.



SECTION THRU' STRUT.



ELEVATION OF STRUT.



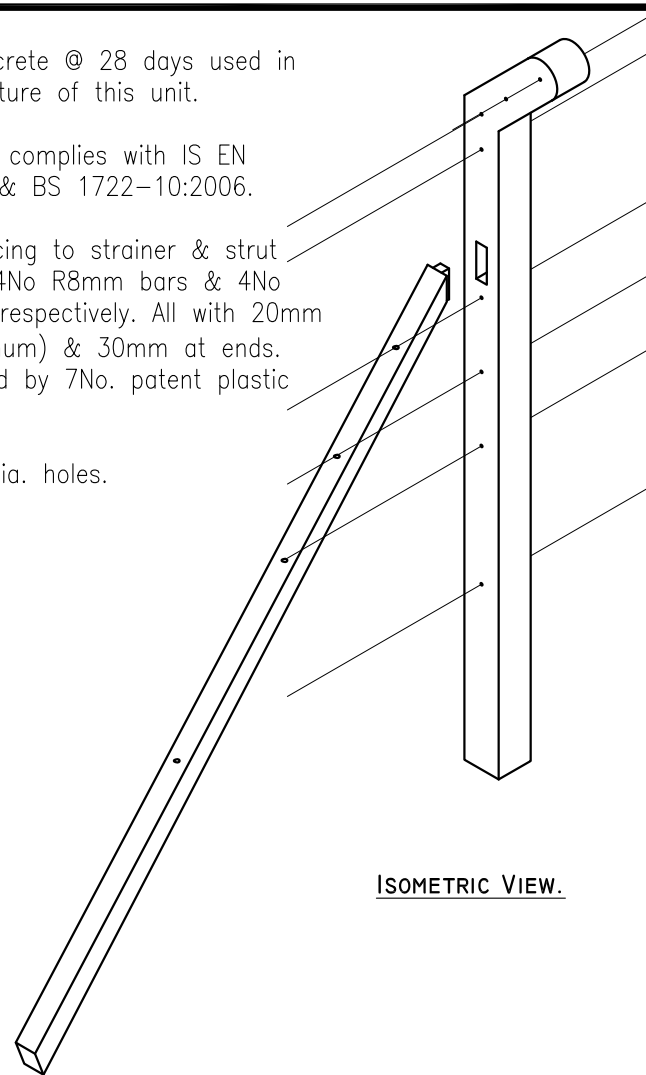
PLAN OF STRUT.

C35/45 concrete @ 28 days used in the manufacture of this unit.

This product complies with IS EN 12839:2012 & BS 1722-10:2006.

Steel reinforcing to strainer & strut consists of 4No R8mm bars & 4No R6mm bars respectively. All with 20mm cover (minimum) & 30mm at ends. Rebar located by 7No. patent plastic spacers.

8No. 8mm dia. holes.



ISOMETRIC VIEW.

A. Notation amended.

March '14

- DO NOT SCALE USE FIGURED DIMENSIONS ONLY.
- ALL DIMENSIONS TO BE CHECKED ON SITE.
- A.P.C TO BE INFORMED OF ANY DISCREPANCIES BEFORE WORK PROCEEDS.

© COPYRIGHT: Ardee Precast Concrete.
This drawing or any part thereof may not be copied or otherwise reproduced without the written permission of Ardee Precast Concrete.

Project:

TECHNICAL DATA SHEET.

Sheet Size:

A4

Title:

3.00 CRANKED FENCING POST
STRAINER & STRUT.

Drawing Scale:

1:25, 1:5

Drawn By:

N.D.

Drawing No:

APC - 406

Revision:

A

Date:

07-10-2011

Checked By:



Ardee Precast Concrete Ltd.

Townparks
Ardee
Co. Louth

Tel. +353(0)41 6856372
Fax. +353(0)41 6857216

Email us at info@ardeeprecastconcrete.com
Visit us at www.ardeeprecastconcrete.com