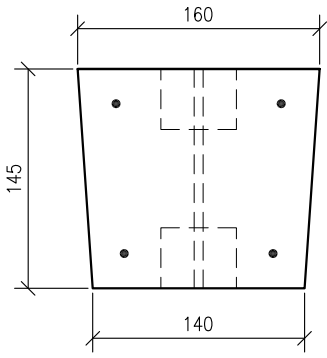
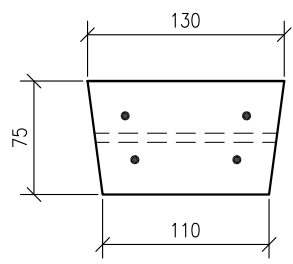


ELEVATION OF POST.

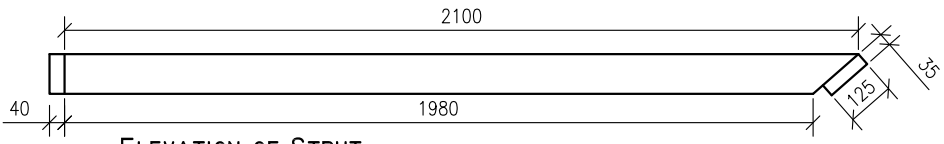
Pocket for strut on 2 sides of unit. Size 150 high x 50 wide x 40mm deep.



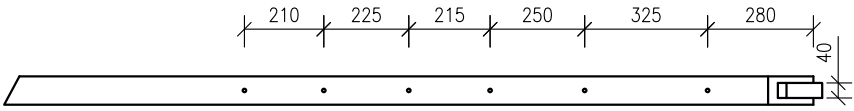
SECTION THRU' POST.



SECTION THRU' STRUT.



ELEVATION OF STRUT.

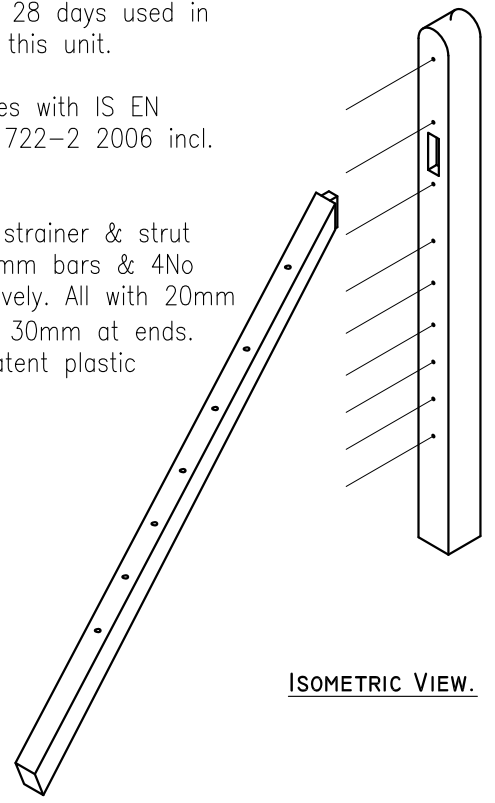


PLAN OF STRUT.

C35/45 concrete @ 28 days used in the manufacture of this unit.

This product complies with IS EN 12839:2012 & BS 1722-2 2006 incl. Annex A.

Steel reinforcing to strainer & strut consists of 4No R8mm bars & 4No R6mm bars respectively. All with 20mm cover (minimum) & 30mm at ends. Rebar located by patent plastic spacers.



ISOMETRIC VIEW.

FOR USE WITH 1.98M INTERMEDIATE FENCING POST SYSTEM.

D. Notation amended.

June '15

- DO NOT SCALE USE FIGURED DIMENSIONS ONLY.
- ALL DIMENSIONS TO BE CHECKED ON SITE.
- A.P.C TO BE INFORMED OF ANY DISCREPANCIES BEFORE WORK PROCEEDS.

© COPYRIGHT: Ardee Precast Concrete. This drawing or any part thereof may not be copied or otherwise reproduced without the written permission of Ardee Precast Concrete.

Project:		Sheet Size:	
TECHNICAL DATA SHEET.		A4	
Title:		Drawing Scale:	
2.10M STRAINER FENCING POST & STRUT.		1:20, 1:5	
Drawing No:		Drawn By:	
APC - 401	Revision:	N.D.	
	Date:	Checked By:	
	07-10-2011		



Ardee Precast Concrete Ltd.
 Townparks Ardee Co. Louth
 Tel. +353(0)41 6856372
 Fax. +353(0)41 6857216
 Email us at info@ardeeprecastconcrete.com
 Visit us at www.ardeeprecastconcrete.com