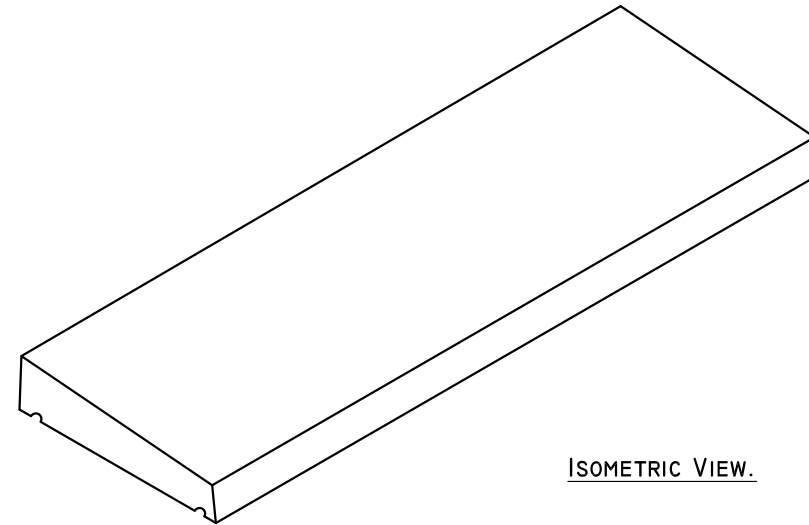
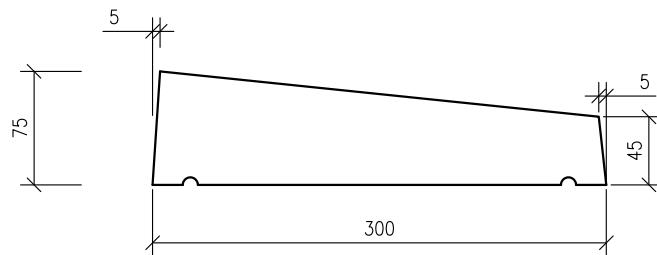


PLAN.



ISOMETRIC VIEW.



SECTION.

C-35 concrete @ 28 days with 10mm & 14mm aggregate used in the manufacture of this unit.

No steel reinforcing.

- DO NOT SCALE USE FIGURED DIMENSIONS ONLY.
- ALL DIMENSIONS TO BE CHECKED ON SITE.
- A.P.C TO BE INFORMED OF ANY DISCREPANCIES BEFORE WORK PROCEEDS.

© COPYRIGHT: Ardee Precast Concrete.  
This drawing or any part thereof may not be copied or otherwise reproduced without the written permission of Ardee Precast Concrete.

Project:

TECHNICAL DATA SHEET.

Sheet Size:

A4

Title:

COPING - TYPE 7  
300MM WIDE, FEATHERED SPLAY.

Drawing Scale:

1:10, 1:5

Drawn By:

N.D.

Drawing No:

APC - 606

Revision:

Date:

07-10-2011

Checked By:



Ardee Precast Concrete Ltd.

Townparks  
Ardee  
Co. Louth

Tel. +353(0)41 6856372  
Fax. +353(0)41 6857216

Email us at [info@ardeeprecastconcrete.com](mailto:info@ardeeprecastconcrete.com)  
Visit us at [www.ardeeprecastconcrete.com](http://www.ardeeprecastconcrete.com)